



EXCAVATOR HYDRAULIC COMPONENTS

Web



TEL:020 89853372

<http://yuexiangparts.com>

ecer: www.excavatorhydraulic-parts.com

www.hydraulic-excavatorparts.com

Alibabaweb: <https://yuexiangparts.en.alibaba.com>

<https://belparts.en.alibaba.com>

<https://belparts02.en.alibaba.com>

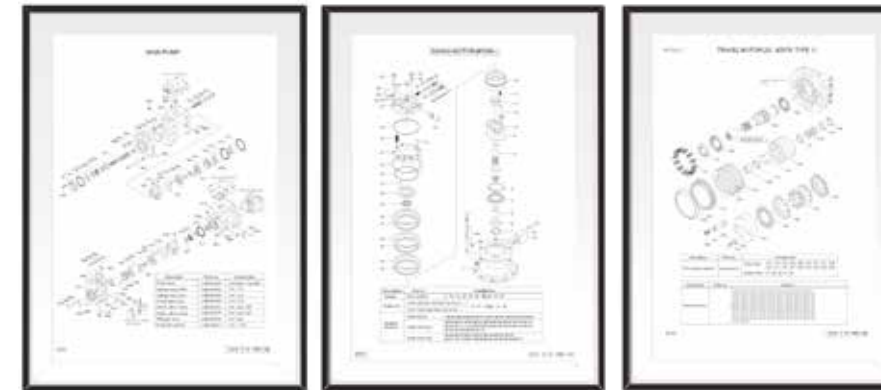


*Do better for
tomorrow*



About us

Guangzhou Belparts Engineering Machinery Limited Company founded in 2013. We are specialized in manufacturing, selling, procuring, storing, transporting and serving. Our main products are Excavator Hydraulic spare parts, Hydraulic main pump, Swing Motor, Travel Motor, Final Drive Ass'y, Swing Motor Ass'y, Swing Gearbox, Travel Gearbox, and other hydraulic items with genuine and aftermarket quality.



plus



**FOCUS ON
HYDRAULIC FIELD**



HYDRAULIC PUMP TEST



FINAL DRIVE TEST



HEAT TREATMENT WORKSHOP



AUTOMATIC ASSEMBLY



TRAVEL MOTOR PRODUCTION



FINAL DRIVE TEST



Because of reliable quality and our devoted service, we obtain continuous orders from our worldwide clients. 'Clients' benefit and service first' is our slogan. We warmly welcome your visit and hope to build up business relationship with you on mutual benefits from now or in the near future.

SHIPMENT



RESERVE



Belparts sells products with different quality and after-market quality. All the most famous brands (Komatsu, Hitachi, Volvo, Hyundai, Doosan, Kobelco, caterpillar, Kato, Sumitomo, JCB, Sany, XCMG, Longjing, etc.) have about 95% of their continuous inventory. Belparts parts are committed to customer satisfaction and best machine performance. Our products enjoy a high reputation all over the world and have been exported to more than 200 countries!



PRODUCT CATALOGUE

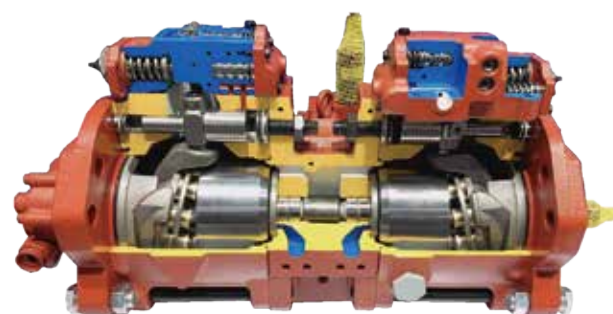
Hydraulic Pump.....	1-10	Fan Motor.....	83-86
Final Drive.....	11-18	Regulator.....	87-90
Travel Gearbox.....	19-26	Gear Pump.....	91-94
Swing Gearbox.....	27-34	Slew Bearing.....	95-98
Travel Motor.....	35-40	Cylinder.....	99-100
Swing Motor.....	41-44	Floating Seal.....	101-102
Hydraulic Parts.....	45-50	Clutch Disc.....	103-104
Gear Parts.....	51-56	Coupling.....	105-106
Monitor/ECU/Controller.....	57-66		
Solenoid Valve.....	67-72		
Relief Valve.....	73-78		
Fan Pump.....	79-82		





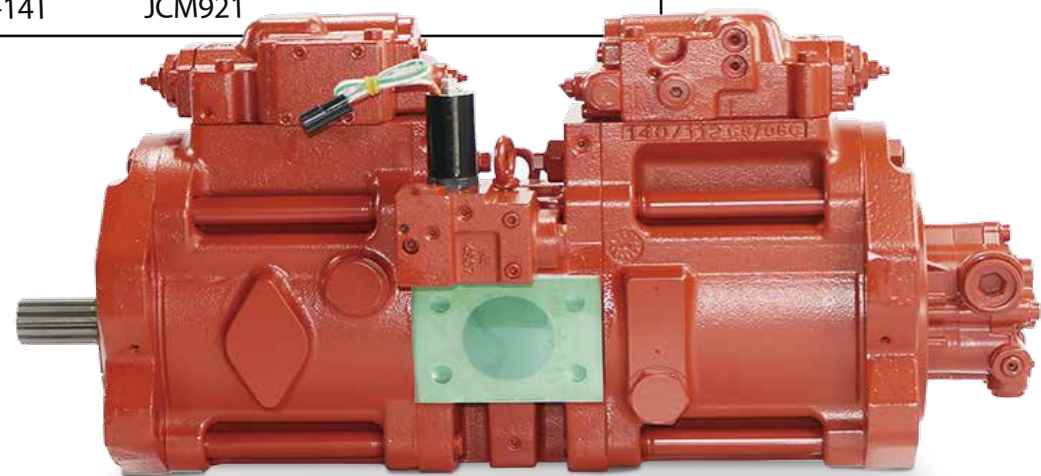
HYDRAULIC PUMP HYDRAULIC PUMP

It has the swash plate axial piston pump and double pump in series. It can adjust the angle of swash plate and realize independent control of single pump. With strong self-priming competence, long-life, low noise and other characteristics, it is suitable for crawler hydraulic excavator and various hydraulic open circuit.



K3V112-DT

9N24-12T	SH280、HD820、R215-9
9N24-14T	EC210、EC240、XE215、LG922
9C32-12T	R210-5、R220-5、R225-7
HNOV-12T	SH200A1A2
HNOV-14T	JCM921



Model	ml/r	Mpa	L/min	r/min	Mpa	N.t	°C	Rotation
K3V112-DT	112	34.3	126*2	2000	39.2	14	-20°C-80°C	right
	3.9	3.9	30					

K3V63DT

9N09-14T	EC140, LG915, XE150
9C22-14T	R130-5, R140-7, R150-7
HNOV-14T	DH150-7, XE135
9POH-14T	SY135-8



Model	ml/r	Mpa	L/min	r/min	Mpa	N.t	°C	Rotation
K3V63DT	63*2	34.3	126*2	2000	39.2	14	-20°C-80°C	right
	15	3.9	30					

K3V112-DTP

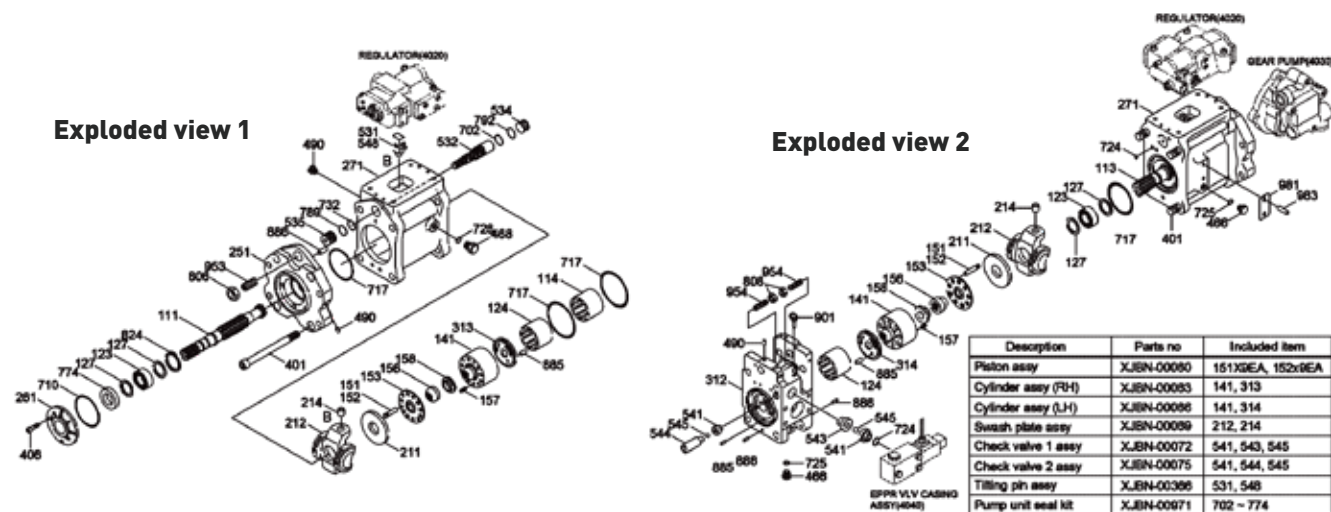
9N24-12T	R225-9, DX225
9P12-12T	R225-9, R265-9, R275-9
9C32-14T	JCB220



Model	ml/r	Mpa	L/min	r/min	Mpa	N.t	°C	Rotation
K3V112-DTP	112*2	34.3	224*2	2000	39.2	12	-20°C-80°C	right
	15	3.9	30			14		

Exploded view 1

Exploded view 2



Description	Parts no	Included item
Piston assy	XJBN-00080	151XDEA, 152x1DEA
Cylinder assy (RH)	XJBN-00083	141, 313
Cylinder assy (LH)	XJBN-00086	141, 314
Swash plate assy	XJBN-00099	212, 214
Check valve 1 assy	XJBN-00072	541, 543, 545
Check valve 2 assy	XJBN-00075	541, 544, 545
Tilting pin assy	XJBN-00396	531, 546
Pump unit seal kit	XJBN-00971	702 - 774



PVD-00B-16P E304 208-1149



PVD-1B-32P-11G5-5677A



PVD-15B-32P-9AG5



A10V43SR-1RS5-D



A8V0200 400914-00248



AP2D21-18234



K3V112DTP-9N14(PTO)



K5V160DTP-9Y04-13T



K3V112DTP-9TDL-14T



K3V63DT-HNOE



K5V80DT-9N-12T



A10V063



K3V180DT-9N29



K3V63DT-9POH



K3V140DT-9T1L



K3V112DTP-1E42



PC200-8 708-2L-00400



K5V200DTH-9N0B



SBS120 E320C E320D



SBS140 272-6959 E325D



SBS80 176-3963 E315C



K3V180DT-9C69-17T



K3V140DT-HNOV



K3V63DT-9N09



K5V140DTP-17T



K3V112DTP-9P12-12T



AP2D25



PC340NLC-7K 708-2G-00023



HPV116C EX200-1



HPV091DS EX100-2 EX120-2



K5V140DTP-9N01-17T



K3V112S-1NCJ-12



K5V80DT-9C



HPV102 ZX200





HPV118 ZX200-3




HPV145 ZX330-3


PUMP MODEL	EXCAVATOR MODEL	
A10V43	SH75 LS1600 HD250V-2(OLD) PC75-2	
A10V40	S80W-3	
A10V17	PC30 IHI35 IHI30 PC30-7 PC40	
A10V28	SK55 PC45-7 SH35 PC35	
A10VS028	ZX70	
A10V071	HD250V-2 E70 ZX70 SY5 DH70 SY65	
A8V107	HD900-2/5 S220-5 HD770-1 LS2800/3400	
A8V115	HD900-2/7 LS4300 S170-3/5	
A8V172	SH300/350-2/3 LS5800/SH400-2 LS4300	
A8V55	EX100 HD500 HD512 EX120 UH063 EX04-7	
A8V59	EX165 S04LC IHI120 EX150-5	
A8V80	HD750G HD700G HD650SE HD770-1	
A8V86	S130W HD400-2 HD900SEV HD450-2	
A8V0107	E225 E300B/E300L E325L/BL.E322L E329L	
A8V0140	DH300-7 R370 DH370-7 DH360-7	
A8V0160	E345 E330BL E330B E330L E330	
A8V0200	E330C DH460 DH500-7	
A7V0250	EX400-1 EX400-3 EX600-5	
AP2D14	E303	
AP2D21	EX35 S50W-3 IHI35 PC45/PC35 PC50	
AP2D25	DH55 SH55 R60-5ZX60-7 EC55 CX55	
AP2D42	E305.5 DH70 SK60-2 EX60-5 ZX70 R80-3	
A10VS063	YC60-7	
A8V080	R190-5	


PUMP MODEL	EXCAVATOR MODEL	
HPV116	EX200-1 EX220-1 EX220LC	
HPV0102	EX220-5 EX230LC-5 EX210LC-5	
HPV0105	EX210-6 ZX200 ZX230	
HPV118	ZX250-3 ZX230-3(EI) ZX270 ZX250-3	
HPV145	EX300-2 EX300-3	
HPV050	EX100-5 EX120-5 EX135	
HPK055K	ZX110 ZX120 ZX130	
HPV091DS	EX120-2/EX100-2	
HPV091ES	EX120-3/EX100-3	
HPV091DW	EX200-2/EX220-2	
HPV091EW	EX200-3 EX220-3	
HPV125A	UH09-7 UH10-1/2/3	
HPV125B	H07-7 UH16 UH083	

PUMP MODEL	EXCAVATOR MODEL	
PVD-2B-40/36	YC35-6 YC45	
PVD-2B-42	PC55 EX58U EX40-2 E305	
PVK-2B-505	ZX60 EX55 NT55 ZX50 YC55	
PVD-0B-18P	PC15	
PVD-1B-32P	PC30	
PVD-3B-54P	ZX60 EX55 NT55 ZX50 ZX55 YC55	
PVD-3B-60L5P	SK75	
PVD-2B-40	EX300-3 ZX330 EX300-5 ZX360	
PVD-1B-32	EX35 PC30 YC35-6	

PUMP MODEL	EXCAVATOR MODEL	
K3SP36	SK60-7 YC85 SK75-3 R80-7 SK70	
K3V112DT	SK320 DH220LC-3 HD700-2 DH258	
K3V112DTP	SK200-6 SK200-6E SK200-8	
K3V140	R300 R330LC-3 E350/450 DH280-2	
K3V180	R3600LC-3 EC360 DH330 R450-4 R420-3	
K3V280DTH	ZX600 ZX650 ZX670 EC700 ZX850 ZX870	
K3V63DT	DH130 E312 R160LC-3 SK100-1/2/3	
K3V112DT	SK320 DH220LC-3/5/7 HD700-2/7 DH258	
K3V63BDT	SK100-5 SK120-5	
K3V63DTP	SK120-6 SK100-6 SK130-8	
K5V80	SK135 R130 SK135 ZX160 ZX130	
K5V140DT	DH300 SH300-A3 R305LC-7 SK350-8 SY235	
K5V140DTP	SH300A3 SH350-3 SK350-8 SY235	
K5V200DTH	ZX470 E345C E345D E330D SK410 R455	
K5V160DTH	E330D SH350-6 DH370-7	
K7V63	SK130-8 CX130 SK138 SH120A5	

PUMP MODEL	EXCAVATOR MODEL	
SBS80	E311 E312C E170 E311D E312D E314	
SBS120	E320C E320D	
SBS140	E325C E325D E324	

PUMP MODEL	EXCAVATOR MODEL	
PSVD2-16	SWE18 VIO35 VIO40	
PSVD2-17	SWE45 SWE50 FR40 FR50 XE40	
PSVD2-19	SWE60 SWE55 FR60 XE60 VIO55	
PSVD-21	SWE60 SWE50 YC35-6 EX40 E40 YC45	
PSVD-25	SWE80 SWE70N9 VIO75	
PSVD-27	XCMG70 LIUGONG906 E304 SWE70	
PSV2-19	SK40	
PSVL-54	U50 U65 U55 E305CL	

PUMP MODEL	EXCAVATOR MODEL	
HPV160	PC360LC-5 PC400-5 PC410-3	
HPV35	PC60-3 PC60-5	
HPV75	PC75UU PC60-6 PC60-7	
HPV55	PC100-3/5 PC120-3/5	
HPV70	PC150-3 PC150-5	
HPV90	PC200-3/5 PC220-3 PC220-3/5	
HPV95	PC200-7 PC200 PC130-7 PC240-8	
HPV132	PC300-6 PC350-6 PC400-6 PC450-6	
HPV140	PC300-7 PC350-7 PC120-7 PC270-7	
HPV165	PC400-7 PC450-7 PC400-8	

We have more models



FINAL DRIVE

FINAL DRIVE

Swash plate axial piston motor and two-stage planetary reducer assembly, the motor installed one-way valve, balance valve, safety relief valve, variable speed valve and parking brake, with high and low speed conversion function, double displacement, low-noise, long-life, safe and reliable characteristics. It is suitable for various types of hydraulic crawler driving device.





TM40

11t-15t excavator

Frame

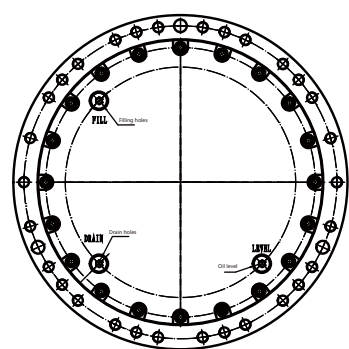
Nr of holes: 30 Screw type: 16

Drive teeth

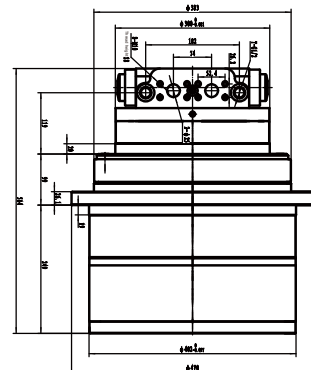
Nr of holes: 22+8 Screw type: 16

For

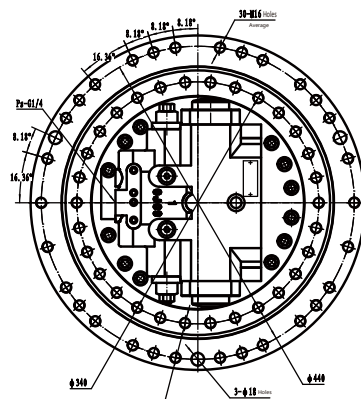
R215-7,R210LC-7,R250LC-7,R225-7,DH200-5,DH200-7,DH220-5,DH220-7,DH225,HD800-7,HD700-7,JCB220,SH200-1,SH200-2,SH200-A3,EC210B,EC240,SY215,SY235,LG200,LG220,LG240,LG920,LG922,LG925D,XCM210



BOTTOM



FRONT VIEW



TOP

TM07

5.5-6.5T excavator

Frame

Nr of holes: 12 Screw type: 14

Drive teeth

Nr of holes: 12 Screw type: 14

For

R55/60,DH55/60,DX60,XE60,SK60C,SY65,R60-7,R70-7,DH60-7,DX60W,DH55,SY65C-9,EC55,EC60,LG660,LG665



TM09

6-8.5T excavator

Frame

Nr of holes: 12 Screw type: 16

Drive teeth

Nr of holes: 12 Screw type: 14

For

PC60-5/6/7/8,PC80-5/6/7/8,HD250,HD307,HD308,E308,E307,DH80,DX75,SH60,SH75,SK60-3/5/6,SY95C-9,SY75



PC78

6-8.5T excavator

Frame

Nr of holes: 14 Screw type: 16

Drive teeth

Nr of holes: 14 Screw type: 14

For

PC78US-6



TM18

10-13T excavator

Frame

Nr of holes: 20 Screw type: 16

Drive teeth

Nr of holes: 15 Screw type: 16

For

PC100/110/120/130,SK100/120/135/140,SH100/120/135,SY135,DH150,YC135,LG915,JCM913,HD400



GM35

20-25T excavator

(PC200)

Frame

Nr of holes: 18 Screw type: 16

Drive teeth

Nr of holes: 20 Screw type: 18

For

PC200-3,PC200-5,PC200-6,PC200-7,PC200-8



GM35

20-25T excavator

(SK200)

Frame

Nr of holes: 20 Screw type: 20

Drive teeth

Nr of holes: 22 Screw type: 18

For

SK200-3,SK200-5,SK200-5.5,SK200-6,SK200-7





TM100
(26Holes*36Holes)
For
DH520/DX520/DH500



SY335
(18Holes*24Holes)
For
SY335



ZX240-3
(16Holes*20Holes)
For
ZX240-3/ZX240-5
ZX250-3/ZX250-5
ZX260-3/ZX260-5



TM01
1-1.8T excavator
For
PHV-1B/U15-3/
KX 41.2 / KX 36.3/
K008/PC14R2/PC15R8
CX18/E18C/ZX18



TM02
2-2.8T excavator
For
PHV2B/KYB MAG18VP-220
EC20/CX27B/CX22B/
X225 I030/V1020.2
B15/KX61-3/2
U20/U25/U25.3



TM03
2.8t-3.5t excavator
For
KYB MAG18VP-230/350
Yanmar B22/B25V/V1030
Kubota KX71/2/3/KX61-2
Hitachi EX35,EX30.2
IHI Imer 28N,25NX,30NX
EC25/PC30/E305.5



ZX230
(16Holes*16Holes)
For
ZX230/ZX240



ZX200-3
(16Holes*18Holes)
For
ZX200-3



MAG-85VP-2400
(16Holes*22Holes)
For
E150/EC140(KYB)
E150/EX135(KYB)



TM04
3-4T excavator
For
PHV-390-53B/EX40
IHI40JX



TM04A
3-4T excavator
For
MAG26VP/B37/Bobcat,331D
328DCC CAT/E303.5
Neuson 2902RD/
IHI Imer 35J/TB035/PC40-6
PC30/PC35/PC40-7



TM04I
3-4T excavator
For
SK40/Bobcat 331D 425
Kubota KX101/U30/KX91.2
IHI Imer 25J Volvo/EC30
CX36/YC35



TM22VC
(20Holes*15 Holes)
For
PC150/DH135/SK130
SK140-8/EC140
SY155C-9/XE150D
SWE150LC/YC135
LG150



GM35(PC Type)
(18Holes*20Holes)
For
PC200-3/PC200-5
PC200-6/PC200-7
PC200-8



GM35(SK Type)
(18Holes*22Holes)
For
SK200-3/SK200-5
SK200-6/SK200-7



TM06
5-6T excavator
For
GM06VA/PHV-4B-60B
PC50/PC55/PC56/PC56-7
PC58UU-3/SY55C-9
SK60-8/CX55/TB50
ZX60 YC60/E305



TM06F
5-6T excavator
For
MAG-33VP-650
SWE50/SWE60/SWE70
ZX55/ZX48/ZX68
ZX48U-5A/V1050



TM07
5.5-6.5T excavator
For
JMV41/TM07VC-A-19
GM07VC/R60-7/DH60-7
DX60W/SY65C-9
SY60C-9/SK60C/XE60
LG660/LG665/EC55/EC60
JCB8056/XCM60/LG906



MAG170
(30Holes*30Holes)
For
SH200A3/SH200-A5
SH240-A3/SH240-A5/CX210
SK250-8/SK270-8/HD820-2



DNB50
(20Holes*24Holes)
For
DH300-5/DX300-7
EC290/LG300/R300-5



SK230-6
(20Holes*26Holes)
For
SK230-6/SK250-6
DH258-5/DH258-7
DX260LC



TM09
6-8.5T excavator
For
TM10VD/
JMV-47/27-01-VBC
MAG-44VP-800/PC60-5
PC80-5/6/7 HD307/DX75
R80-7/SY95C-9/SY75C-9
SH60/SK60-6/SK75



T7T2
(12Holes*12Holes)
For
E306E/SEW50/GFT7T2



T9T2
(12Holes*16Holes)
For
TM09VC/GFT9T2/SEW80
SEW90/LG85



TM70VC
(26Holes*24Holes)
For
D340/R375/R375-7
R385-9/EC350/EC360
EC380/DX345/DX350



TM06H
(9Holes*9Holes)
For
PC45/PC50/PC50UU-2
SK45SR/SK50/E305.5
E306/EC45/DH55



DNB50
(18Holes*26Holes)
For
SH350-3/CX360
SK350-8/SH350A5



TM18
10-13T excavator
For
PC100-1/2/3/5/120-1/2/3
PC120-7/128/138/110-7/
PC130-5/6/7/128UU/
PC90/PC128
HD510/512R/400/513
SH100-1/2/A3120-2
120-A3]DX140



TM22
13-15T excavator
For
R150-9/R140-9/R130VS
R150VS/DH150-9
R140LC-9S



TM60
(18Holes*26Holes)
For
R305/R335/R290-7
R300LC-9S

Motor model	Excavator model	Number of holes	Weight	Tonnage
TM01	SK1,5/Kubota/U15-3/KX,41,2/KX,41,2V/KX,36,3 PC14R2/PC15R8/PC07/CX18/E18C/ZX18	8*9Holes	16kg	1t-1.8t
TM02	EC20/CX27B/CX22B/X225/U20/U25/TB15/PC20	8*9Holes	25kg	2t-2.8t
TM03	Yanmar(B22/B25V/B37V/B27/VIO30)/Kubota [KX71-2,KX71-3 /KX91/3] Hitachi(EX35/ZX30CLR/FH35/2/EX30/2/EH22/2)	9*12Holes	44kg	2.8t-3.5t
TM04	PHV-390-53B/EX40/IHI40JX	12*12Holes	52kg	3t-4t
TM04A	KYB/MAG26VP/Yanmar/B37/Bobcat/331D/328DCC Caterpillar 2902RD/IHI/Imer/35J/TB035 PC40-6/PC30/PC35	9*9Holes	52kg	3t-4t
TM04I	SK40/Bobcat/331D/425/Kubota/ KX101/U30/KX91/2 IHI/Imer/25J/EC30/CX36/YC35	9*9/12*12Holes	52kg	3t-4t
TM06	GM06VA/PHV-4B-60B/PC50/PC55/PC56 PC56-7/PC57-7/PC58UU-3/SY55C-9/SK60-8 CX55/TB50/ZX60/YUCHAI60	9*12Holes	63KG	5t-6t
TM06H	PC45/PC50/PC50UU-2/SK45SR/SK50 E305,5/E306(9*9)/DH55/EC45	9*9Holes	64KG	5t-6t
TM06F	KYB(MAG-33VP-650)/SWE50/SWE60/SWE70 ZX55/ZX50/ZX68/ZX48U-5A/VIO50	9*9Holes	64KG	5t-6t
TM07	TM07VC-A-19/GM07VC/R55/R60/R60-7/R70-7 DH55/DH70/DH60/SY65C-9/SY60C-9/SY65/SK60-C/SK60	12*12Holes	88KG	5.5t-6.5t
TM09	MAG-44VP-800/PC60-5/PC60-6/PC60-7/ PC60-8/PC80-5/PC80-6/PC80-7/HD250/HD307 HD308/E70/E70B/E308/E307/DH80/DX75/R80-7	12*12Holes	91KG	6t-8.5t
TM09	PC78/PC75UU-2/PC78US-6/PC78MR/21W-60-22130	14*14 Holes	94KG	6t-8.5t
GFT9T2	TM09VC/GFT9T2/SEW80/SEW90/LG85	12*16Holes	78KG	6t-8.5t
GFT7T2	E306E/SEW50	12*12Holes	64KG	6t-8.5t
TM18	PC100-3/PC100-5/PC100-6/PC120-1/PC120-2 PC120-3/PC120-5/PC120-6/PC120-7/PC128 PC138/PC110-7/PC130-7/PC130-6/PC130-5	20*15Holes	144KG	10t-13t
TM22VC	PC135/PC150/DH135/DH150/SK130/SK140-8/EC140 SY155C-9/XE150D/135/150/LG6150E/XG815E SWE150LC/YC135/YC160-8FR170/LG150	20*15Holes	162KG	11t-13t
TM22	R150-9/R140-9/R130VS/R150VS/DH150-9/R140LC-9S	20*21Holes	150KG	13t-14t
MAG-85VP-2400	MAG-85VP-2400/EC140(KYB)/E150/EX135(KYB)	16*22Holes	150KG	—

Motor model	Excavator model	Number of holes	Weight	Tonnage
TM22C	E311/E312B/E312C/E312D/E313/SH260/SH265/ R110-7/E110B/E120B/SY135/R110-7/ SH260/SH265/140/SH135/JS130	15*16Holes	152KG	—
TM35(SK)	SK200-3/SK200-5/SK200-6/SK200-7	18*22Holes	330KG	—
TM35(PC)	PC200-3/PC200-5/PC200-6/PC200-7/ PC200-8	18*20Holes	315KG	—
TM40	SK260/SK270/EC210B/SY215/LG922/DH200-5/ DH200-7/DH220-5/R215-7/R210-7/R210LC-7/ R250-7/R250LC-7/R225-7/R210-9	30*22+8Holes	310KG	18t-25t
MAG170	SH200A3/SH200-A5/SH210-A5/SH240-A3/ SH240-A5/CX210/CX240/SK250-8/SK260-8/ SK270-8/HD820-2/HD820-3/HD820-5	30*30Holes	350KG	—
DNB50	DH300-5/DX300-7/EC290/LG300/R300-5	20*24Holes	400KG	—
DNB50	SH350-3/CX360/SK350-8	18*26Holes	400KG	—
TM60	R305/R335/R290-7/R300LC-9S	18*26Holes	400KG	—
SK230-6	SK230-6/SK250-6/DH258-5/DH258-7/DX260LC	20*26Holes	310KG	—
TM70VC	DX340/R375/R375-7/R385-9/EC350/EC360 EC380/DX345/DX350	26*24Holes	400KG	—
TM100	DH520/DX520/DH500	26*36Holes	520KG	—
(HMGF36)	ZX200-6/ZX200-1/ZX210	16*16Holes	280KG	—
(HMGF40FA)	ZX200-3/ZX200-5G/ZX210-3/ZX210-5G	16*18Holes	280KG	—
ZX230	ZX230/ZX240	16*16Holes	295KG	—
(HMGF44BA)	ZX240-3/ZX240-5/ZX250-3/ZX250-5/ZX260-3/ZX260-5	16*20Holes	295KG	—

We have more models





TRAVEL GEARBOX

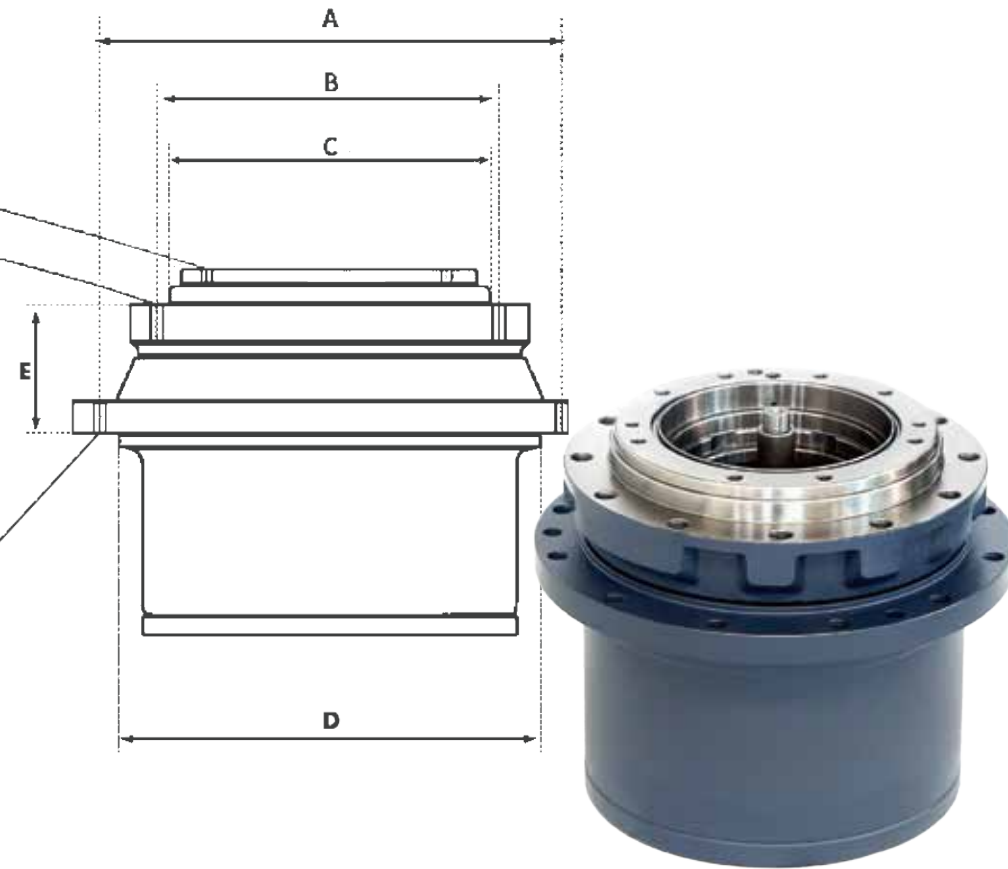
TRAVEL GEARBOX

The travel gearbox is divided into two-planetary deceleration or three-planetary deceleration. It is composed of motor housing, driving housing, gear ring, planetary frame, planetary gear and other components. It has the characteristics of low speed, high-torque and low noise, and can be matched with a variety of hydraulic moving motors.

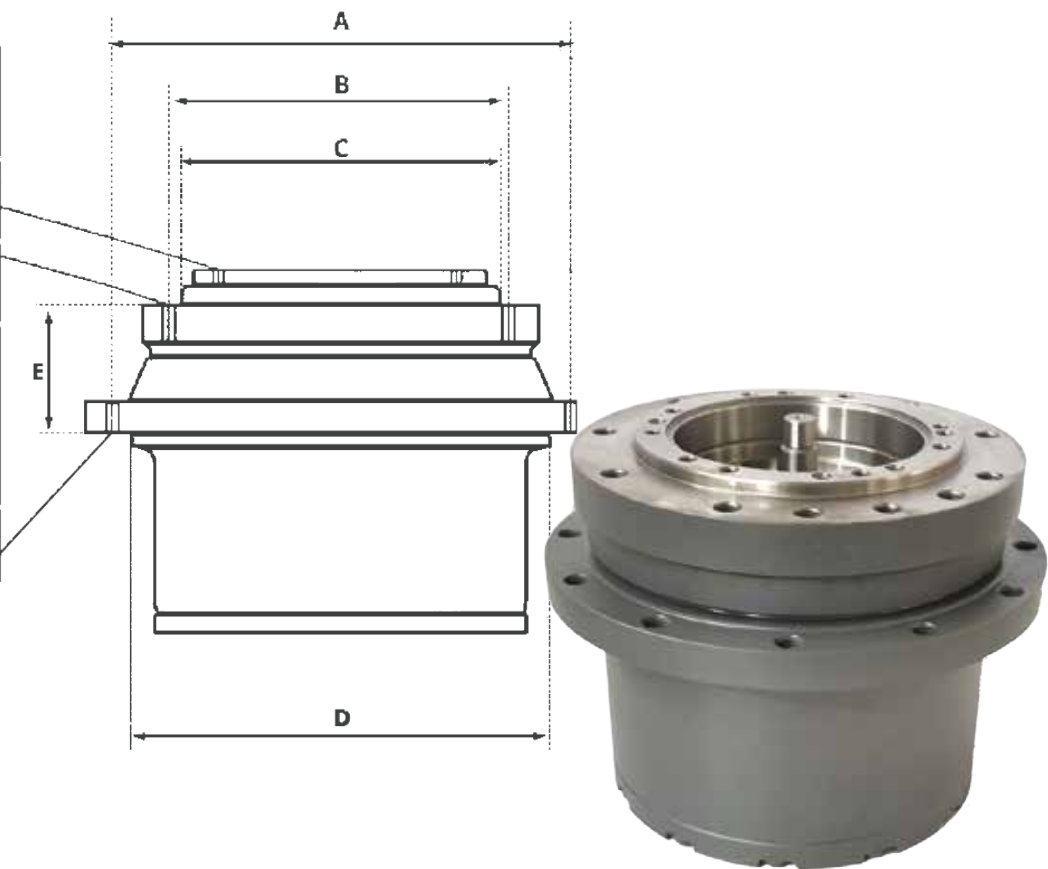




MACHINE TYPE	
R60-5	
Nr of holes	8
screw type	10
Nr of holes	12
screw type	14
OA	282.6
OB	250
OC	210
OD	250
OE	74.3
Nr of holes	12
screw type	14



MACHINE TYPE	
ZAX60	
Nr of holes	8
screw type	10
Nr of holes	12
screw type	14
OA	262
OB	220
OC	180
OD	230
OE	78
Nr of holes	12
screw type	14



R80-7	
Frame hole	12-M16
Sprocket hole	12-M16
Motor link hole	8-M12



R110-7	
Frame hole	16-M16
Sprocket hole	18-M16
Motor link hole	8-M14



R150-9	
Frame hole	20-M16
Sprocket hole	21-M16
Motor link hole	10-M12



ZAX120	
Frame hole	14-M16
Sprocket hole	16-M16
Motor link hole	8-M14



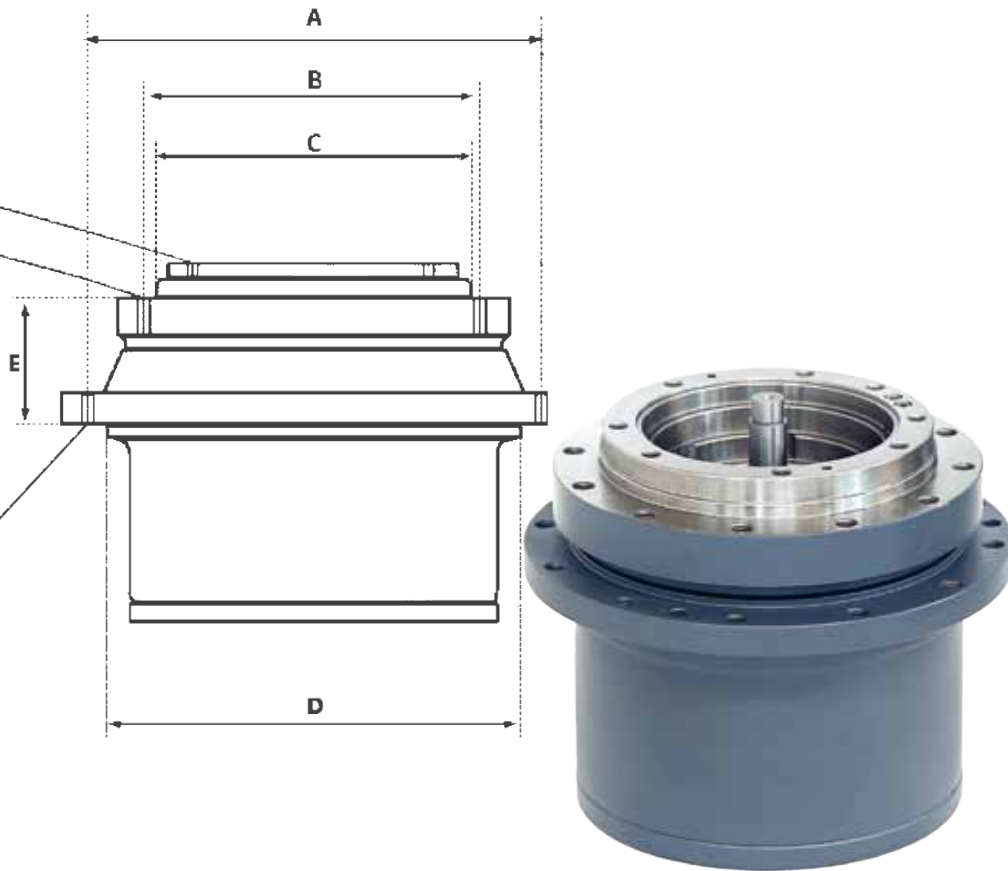
ZAX200-3	
Frame hole	16-M20
Sprocket hole	18-M20
Motor link hole	9-M18



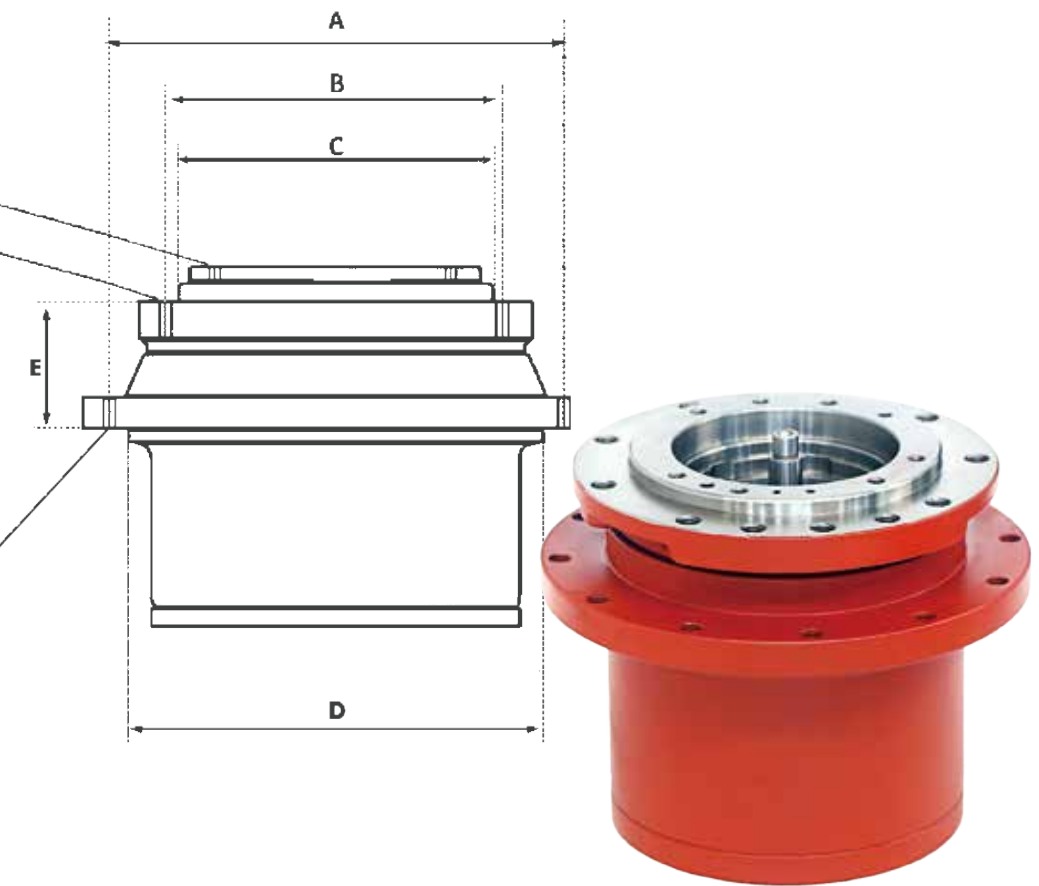
ZAX330-3	
Frame hole	24-M20
Sprocket hole	22-M22
Motor link hole	8-M20



MACHINE TYPE	
DH60-7	
Nr of holes	8
screw type	12
Nr of holes	12
screw type	14
ØA	282.6
ØB	244
ØC	210
ØD	250
ØE	69
Nr of holes	12
screw type	14



MACHINE TYPE	
PC56	
Nr of holes	7
screw type	10
Nr of holes	12
screw type	14
ØA	262
ØB	220
ØC	180
ØD	230
ØE	76.4
Nr of holes	12
screw type	14



DH80G	
Frame hole	12-M14
Sprocket hole	12-M14
Motor link hole	8-M12



DH220-5	
Frame hole	30-M16
Sprocket hole	30(22+8)-M16
Motor link hole	12-M16



DH225-9	
Frame hole	30-M16
Sprocket hole	30(22+8)-M16
Motor link hole	12-M16



PC78	
Frame hole	14-M16
Sprocket hole	14-M14
Motor link hole	6-M12



PC120-5	
Frame hole	20-M16
Sprocket hole	15-M16
Motor link hole	9-M14



PC200-7	
Frame hole	18M-16
Sprocket hole	20-M18
Motor link hole	4-M22



PRODUCT MODEL	FRAME HOLE	SPROCKET HOLE	MOTOR HOLE	APPLICATION
DH60-7	12-M14	12-M14	8-M12	DH60-7 XE60
DH80G	12-M16	12-M14	8-M10	DH80G
TM18	20-M16	15-M16	8-M14	JCM913
DH220-5	30-M16	30-M16	12-M16	DH220-5/7 SY215/235-8 LG220 EC210
DH225-9	30-M16	30-M16	12-M16	DH225-9 SY195 XE215
DH258-7	20-M20	26-M18	9-M16	DH258-7 DX260LC
DH300-7	20-M20	24-M20	12-M16	DH300-5/7
DX300-7	20-M20	24-M20	6-M20	DH300-7 DX300-7 R300-5
DH370	20-M24	24-M20	6-M20	DH370-7-9
E305	12-M14	9-M14	6-M8	E305
E312	16-M16	15-M16	10-M14	E312V1/V2
E320C	16-M20	16-M20	4-M16	E320 E323 E320B/C/D
EC140	20-M16	18-M16	8-M14	EC140 XE150 FR170
EC240	30-M16	18-M18	12-M16	EC240
EC290	20-M20	16-M20	6-M20	EC290
EC360	26-M20	24-M20	6-M20	EC360
PC56	12-M14	12-M14	7-M10	PC55/56 SY55-9
PC60-6	12-M16	12-M14	8-M10	PC60-6/7 SK60-3/5
PC60-7	12-M16	12-M14	6-M12	PC60-7 E308 XE80
PC78	14-M16	14-M14	6-M12	PC78US-6
PC120-5	20-M16	15-M16	9-M14	PC120-5 SK120-1/3/5 SH120A1/A2 HD512
PC120-6	20-M16	15-M16	8-M10	PC120-6 PC130-7 SY135 SK135 LG915 SH120A3
PC200-6	18-M16	20-M18	12-M16	PC200-6
PC200-7	18-M16	20-M18	4-M22	PC200-6 PC200-7/8
PC200-8	18-M16	20-M18	4-M22	PC200-8M0
PC360-7	24-M20	20-M20	8-M20	PC300-7 PC350-7 PC360-7
R60-5	12-M14	12-M14	8-M10	DH55 R60-5 EC55
R60-7	12-M14	12-M14	8-M10	R60-7 SY65
R80-7	12-M16	12-M16	8-M12	R80-7
R110-7	16-M16	18-M16	8-M14	R110-7
R150-9	20-M16	21-M16	10-M12	R150-9
R225-9	30-M16	30-M16	16-M12	R20LC-7 R215/225-9 JMV147
R305-7	18-M24	26-M20	12-M16	R305/335-7/9 SY285/R320-7
R375-7	26-M20	24-M20	6-M20	R375-7 R385
ZAX60	12-M14	12-M14	8-M10	ZAX60
ZAX120	14-M16	16-M16	8-M14	ZAX120
ZAX200-3	16-M20	18-M20	9-M18	ZAX200-3 ZAX210-5G
ZAX240-3	16-M20	20-M20	9-M18	ZAX240-3 ZAX250-3
ZAX330-1	20-M20	20-M20	8-M20	ZAX330-1 ZAX330-6 ZAX350-6
ZAX300-3	24-M20	22-M22	8-M20	ZAX330-3 ZAX330-5G ZAX360-3
EX120-1	15-M16	16-M16	2-M16	EX100-1 EX120-1
EX200-1	14-M20	16-M20	2-M16	EX200-1
EX200-5	14-M20	16-M20	8-M16	EX200-3/5
EX300-5	20-M20	20-M20	4-M18	EX300-5 EX350-5
SK140-8	20-M16	15-M16	10-M12	SK130-8 SK140-8
SK200-6	20-M20	22-M18	12-M16	SK200-6E
SK200-8	30-M16	26-M16	8-M16	SK200-8 SK210-8
SK230-6	20-M20	26-M18	10-M14	SK230-6 SK250-6
SK350-8	18-M24	26-M20	10-M18	SK330-8 SK350-8 SH350A3
SH265	16-M16	15-M16	9-M14	SH260-8 SH265 E110B
SH200	30-M16	22-M16	5-M12	SH200A1/A2 SH280 HD700-7 HD820-1
SH200A3	30-M16	30-M16	10-M14	SH200A3 HD820-3 SK250/260-8 SH210/240-5
YC60-8	12-M14	12-M14	6-M8	YC60 GM06VA



SWING GEARBOX

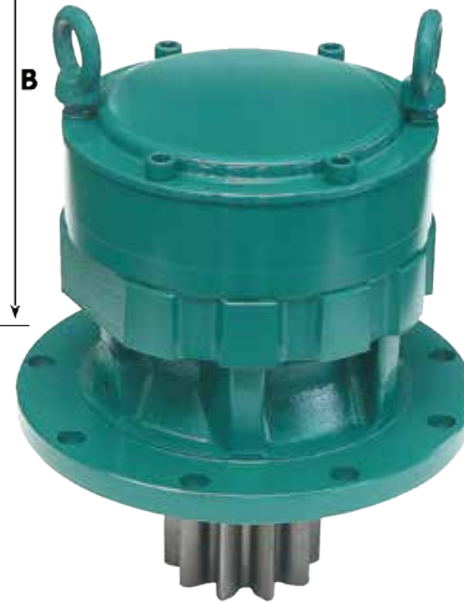
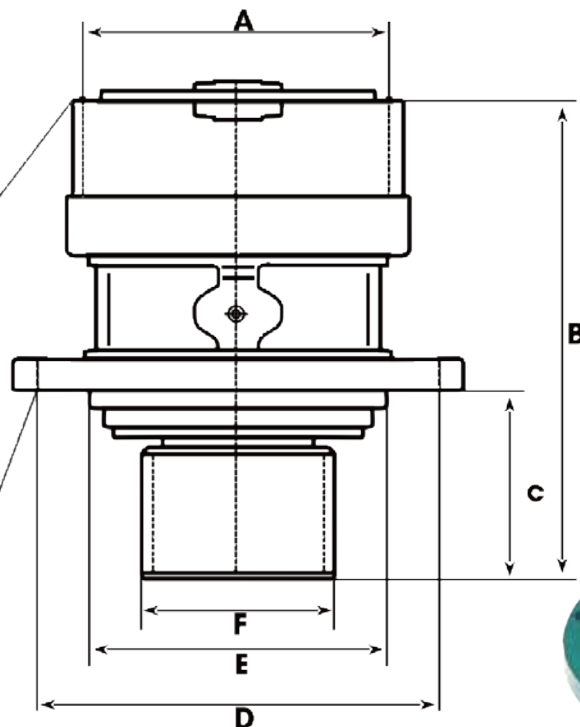
SWING GEARBOX

Generally, rotary reducer is based on two-stage planetary deceleration mode, composed of vertical shaft, vertical shaft seat, gear ring, planetary gear, planetary gear and other components. The speed and torque matching are reasonable. It has high efficiency, low noise and other characteristics, and it can be matched with a variety of hydraulic rotary motors.

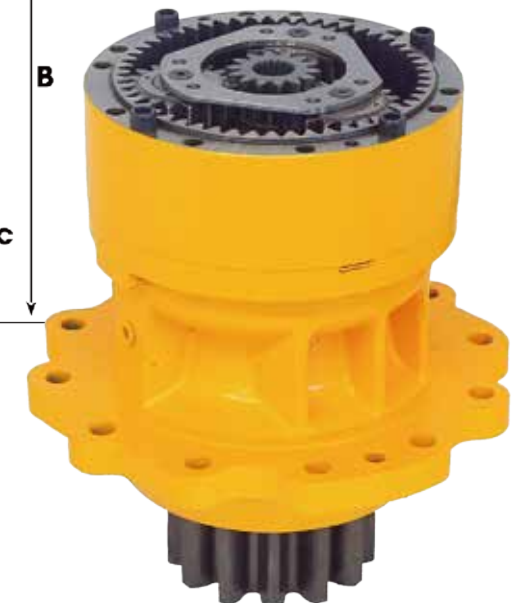
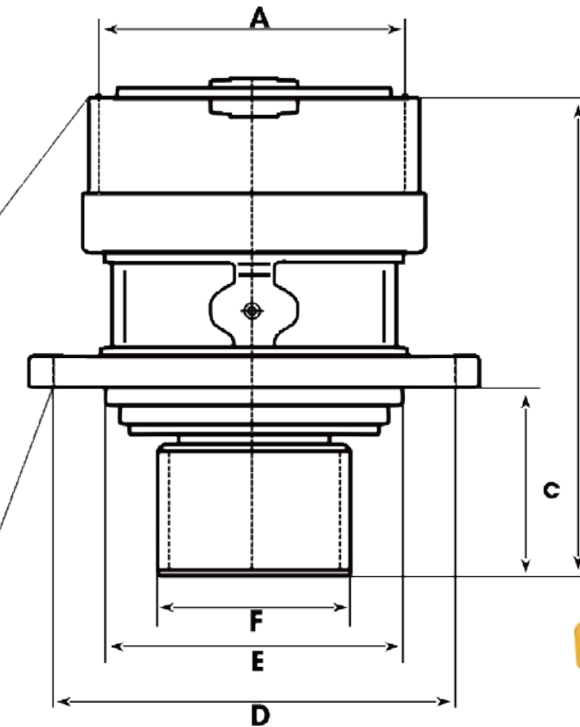




MACHINE TYPE	
SK60-5	
Nr of holes	8
screw type	17.4
ØA	203
ØB	306.8
ØC	112.5
ØD	260
ØE	199.7
ØF	101.6
Nr of holes	6
screw type	13



MACHINE TYPE	
LG200(180)	
Nr of holes	11
screw type	22
ØA	282
ØB	446.5
ØC	163.5
ØD	360
ØE	310
ØF	180.6
Nr of holes	14
screw type	15



SK75-8	
Frame hole	8-17
Sprocket hole	10T
Motor link hole	6-13



SK135	
Frame hole	10-21
Sprocket hole	11T
Motor link hole	12-13



SK200-8	
Frame hole	13-21
Sprocket hole	13T
Motor link hole	12-15



LG200(190)	
Frame hole	11-22
Sprocket hole	13T
Motor link hole	14-15



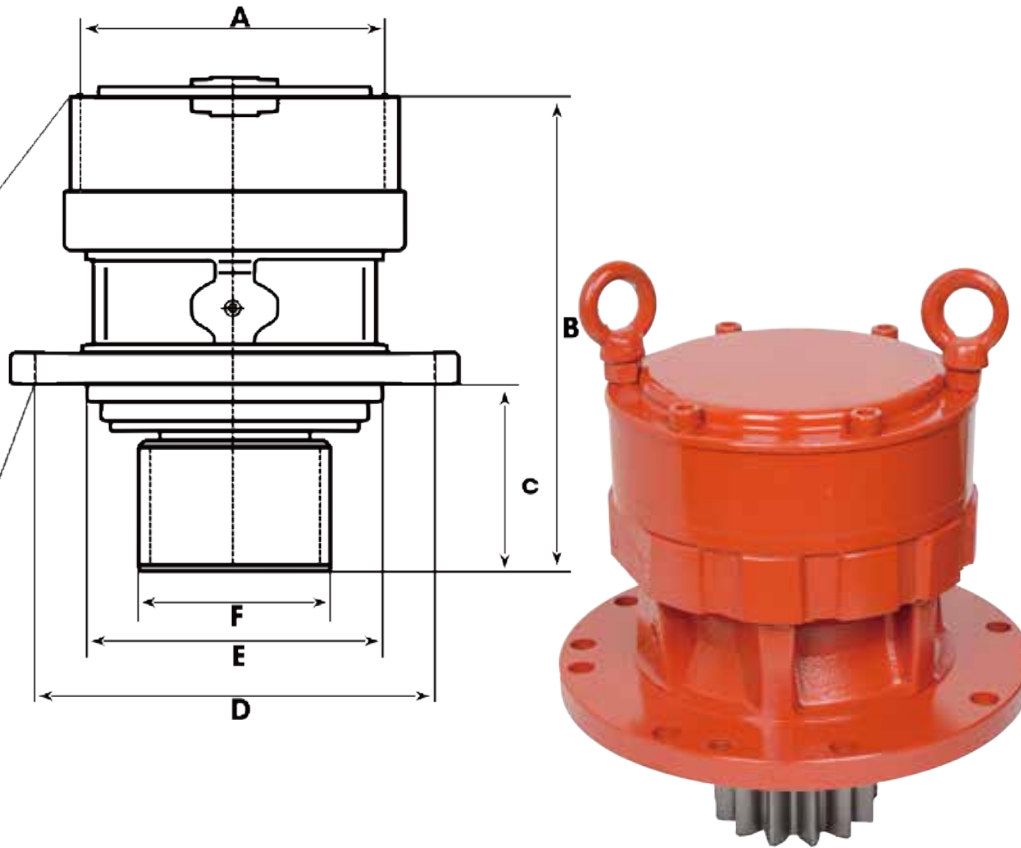
LG225(190)	
Frame hole	11-22
Sprocket hole	13T
Motor link hole	14-15.3



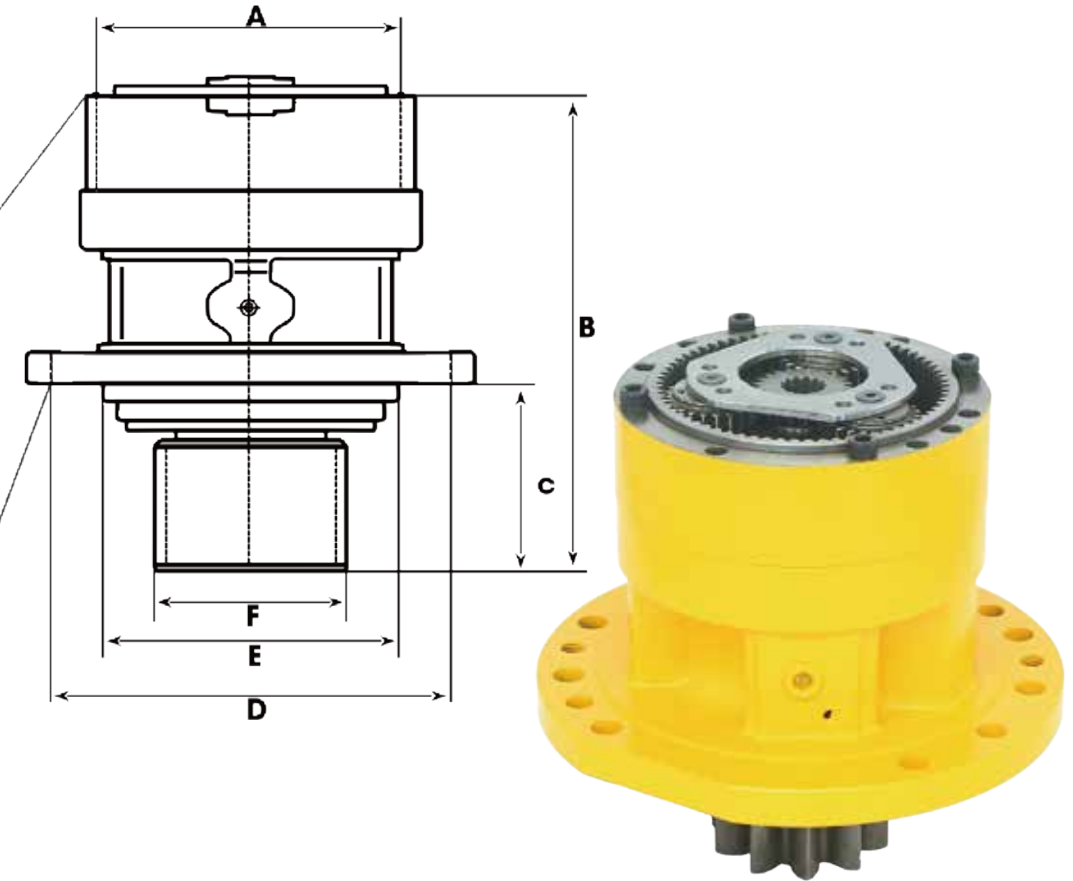
LG240	
Frame hole	13-22
Sprocket hole	15T
Motor link hole	14-17.6



MACHINE TYPE	
DH55	
Nr of holes	6
screw type	13
ØA	203
ØB	292
ØC	97
ØD	275
ØE	199.7
ØF	111.5
Nr of holes	8
screw type	17



MACHINE TYPE	
PC60-7	
Nr of holes	10
screw type	18
ØA	188
ØB	274.5
ØC	87.9
ØD	260
ØE	206
ØF	103.7
Nr of holes	12
screw type	12




DH220-5	
Frame hole	11-22
Sprocket hole	13T
Motor link hole	16-13



DH258	
Frame hole	14-22
Sprocket hole	14T
Motor link hole	13-19



DH370	
Frame hole	8-17
Sprocket hole	12T
Motor link hole	6-13



PC120-6	
Frame hole	14-18
Sprocket hole	11T
Motor link hole	13-13.5



PC200-8	
Frame hole	12-23
Sprocket hole	13T
Motor link hole	6-M10



PC220-7	
Frame hole	14-22
Sprocket hole	13T
Motor link hole	6-10



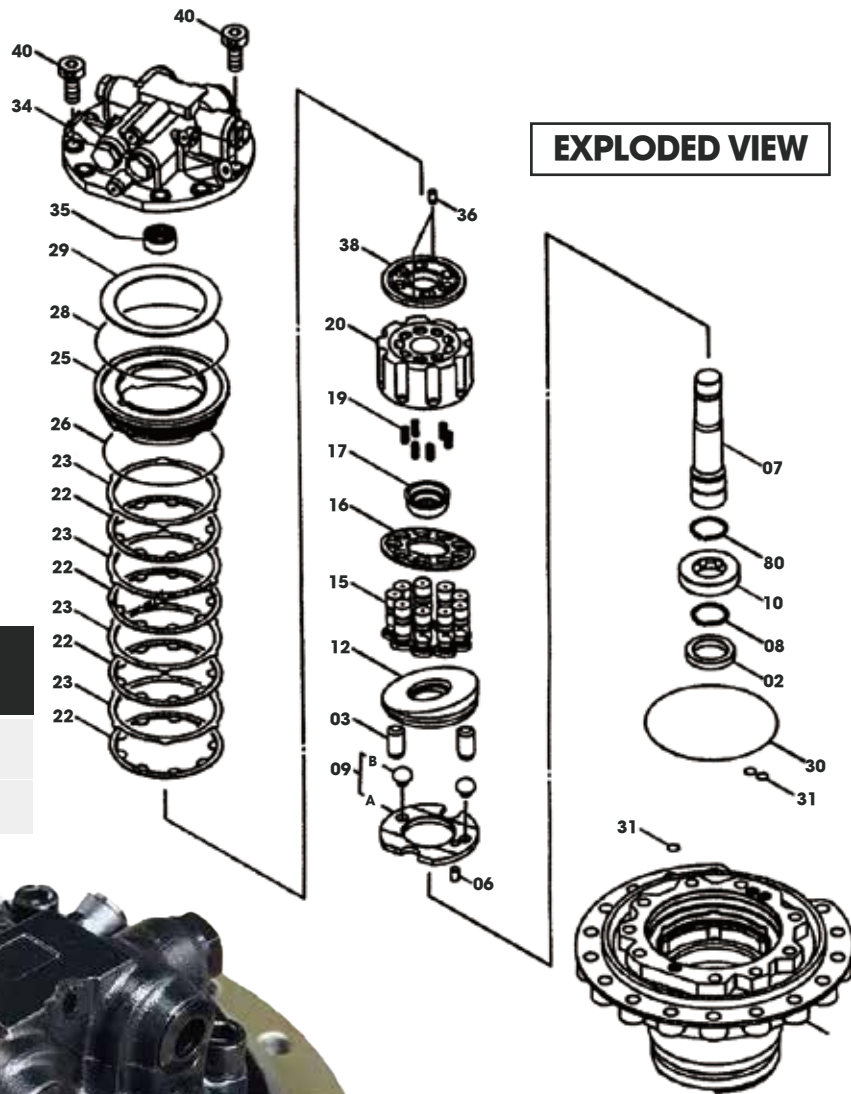
Product model	Bottom hole	Shaft teeth	Motor hole	Application
DH55	8-17	13T	6-13	DH55 DH60-7
DH80	8-17	12T	6-13	DH80-7 DH80G SY75
DH150-7	9-18	10T	10-13.5	DH150-7
DH220-5	11-22	13T	16-13	DH220-5/7 DH215/225-7/9
DH225-7	11-22	13T	16-13	DH220-5/7 DH215/225-7/9
DH258	14-22	14T	13-19	DH258-5/7
DH300-7	12-26	14T	16-M12	DH300-7 DX300-7
DH370	12-26	14T	16-M12	DH300-7 DX300-7
DH500	11-22	15T	16-13	DH500
R55	8-16.5	13T	6-13	R55-7 R60-5
JMF29	7-17	13T	6-13	R60-7 XE60
R80-7	7-17	11T	6-13	R80-7
R130	9-18	12T	10-13.5	R130-5 R110-7 XE135
R210	10-22	13T	12-18	R200/210/215/225-5/7/9
R305-7	15-22	13/15T	12-20	R305-7 R335-7 R305-9
PC56	8-13.5	10T	6-M8	PC56-7
PC60-7	10-18	10T	12-12	PCPC60-7
PC120-6	14-18	11T	13-13.5	PC120-6 PC110-7 PC130-7
PC200-6	12-22	15T	22-16	PC200-6 PC220-6
PC200-8	12-23	13T	6-M10	PC200-8 PC210-8
PC220-7	14-22	13T	6-M10	PC220-7/8 PC240-8
SK60-5	8-17.4	10T	6-13	SK60-5 SK60SR SK70SR
SK75-8	8-17	10T	6-13	SK75-8
SK135	10-21	11T	12-13	SK135
SK140-8	9-21.6	11T	12-13	SK130-8 SK140-8
SK200-6	13-21	13T	11-15	SK200-6/6E SK200-7
SK200-8	13-21	13T	12-15	SK200/210-8
SK250-8	14-121	11T	17-15.2	SK250-8 SK260-8
SY75	8-17	12T	6-13	SY75
YC85	8-17	11T	6-13	YC85 XE80 SH60
SY135	9-18	11T	12-13	SY135 XE150 LG915
JCM913	9-18	12T	12-13	JC913
LG240	13-22	15T	14-17.6	LG240 SY235-8 XE215
SH120	9-18	12T	8-13	SH120 YC135 JCB130
SH200	11-22	14T	16-13	ZSH200 SH210-5 CX210
SH280	11-22	13T	16-13	R200/210-3/5(SG08)
ZAX60	11-17	11T	2-M12	ZAX60
ZAX70	10-18	12T	8-16	ZAX70
EX200-5	12-22.5	13T	8-M12	EX200-5
E307	19-18	12T	6-13	E307V1/V2
E318	13-22	11T	12-13	E318
E320C	12-26	14T	16-18	E320C/D E230
EC210	11-22	13T	8-M12	EC210
EC360	12-26	15T	4-M16	EC360
HD820	9-22	11T	16-13	SK130-8 SK140-8
YC60	6-17.5	14T	2-M12	YC60 LG906
DX60	6-17.1	14T	2-M12	DX60 SY60-9
E307-E	12-17	12T	6-M12	E307E
LG908	8-18	12T	4-M14	YC85 SY75 LG908 JCM908



TRAVEL TRAVEL MOTOR

The motor is equipped with a high-pressure automatic variable device. When the high-speed gear is engaged, the circuit is connected with the oil from the manual speed change oil port to push the speed change valve to the left, so that the motor becomes small displacement; If the driving resistance increases and the oil pressure rises to the set value, the oil will push the shift valve to the right, and the motor will automatically change to the low-speed gear with large displacement to increase the torque.





ZX200

Part number	HMGF36EA
weight	90KG







SWING MOTOR

The rotary motor transmits the rotational force to the rotary reduction device. The valve unit is mainly used to realize motor overload protection, rotary braking, reduce the hydraulic impact of the motor, and prevent cavitation. The rotary reduction device converts the rotational power transmitted from the traveling motor into low-speed high torque power to make the excavator work more efficiently.



 <p>PC228 706-7G-01180</p>	 <p>R210-9/220LC-9S 39Q6-11101</p>	 <p>PC60-7 708-7T-00360</p>
 <p>SK350-8 LC15V00022F1</p>	 <p>SK260-8 LQ15V00015F1</p>	 <p>SK120 YW32W00004F1</p>
 <p>E312C/312E 170-9893</p>	 <p>E318/319C 148-4644</p>	 <p>E330B/325B 1077054</p>





HYDRAULIC PARTS

Hydraulic parts divide into parts of hydraulic pump, travel motor, swing motor. Mainly include cylinder block, valve plate, piston shoe, set plate, swash plate and support, drive shaft, etc. Different models do not include totally the same parts. The sizes meet general international standard, can be used together with other brand, steady quality.





**A6VM 55/59/80/86/107/115
160/172/200/250**



**A7V 55/80/107/160/225/
250/355/550**



**A6VM 55/59/80/86/107
115/160/172/200/250**



**GM 02/03/04/05/06/08/09/
18/23/24/28/30/35/38**



GM06/GM09



**HMGC 16/32/48 HMGF 35/37/
48/49/57/68/84 HMV 110/160**



**A8V 55/86/107/115/055/059
/0107/0160/0200**



**A8VO 55/80/107/120/140/
160/200**



A10V 17/21/23/28/40/43



**HPV 35/55/75/90/95/
110/132/140/160/165/375**



HPV 116/145



HPV 050/102/105/118/135



**A11VSO 40/60/75/95/130/
145/160/190/260**



AP2D21/25/28/36



**AP12 SBS80/SBS120/
SBS140**



**HPV35/55/75/95/132/
140/160**



**HPV050 /HPV0102/
HPV0118/HPV145**



**HPV091
EX100/200-2/3 EX120-2**



HPV116 HPV145



**JMF 23/27/29/33/36/43/
64/68/151/195**



K3SP 30/36



**MX 50/80/150/173/200/
250/450/500/530/750**



**PSV2-55T PSV2-62T
PSV2-63**



**SG 015/025/03/04/08/15/20
MFB 80/170/180/190/200**



**K3V63/K3V112/K3V140/
K3V180**



**K3VL 28/45/60/80/112/
140/160-200**



**KMF 40/90/160
KPV 90/105**



**M2X 63/96/120/146/
150/170/210**



M5X 130-180



**MAG150VP MAG170VP
MAG180VP**



We produce different hydraulic parts. We have a variety of quality, original or our own production can be sold to you, looking forward to cooperating with you.



GEAR PARTS

GEAR PARTS

Gear parts are the parts of travel gear boxes and swing gear boxes. We offer them separately or as a whole set of accessories. There are several choices of quality. We support them whether you are wholesale or retail.







SK350-8
LC15V00023S022



R320LC-9
XKAH-01245



R250LC9
XKAQ-00535



EC700
VOE14535300



CX210B
160520A1



CX210B
LC00221



PC300-6
20Y-27-22170



ZX120
1016125



PC200-7
708-8F-31110



EX30UR
0436401



EX225-5
1014493



EX120-5
2036830



PC200-5
20Y-27-13210



DX300
230-00067



JCB200
05/903869



E336D
296-6190



R360-3
XKAQ-00749



EC210
SA8230-33140



MONITOR/ECU CONTROLLER

MONITOR/ECU CONTROLLER

The computer version is classified as: Engine board hydraulic board and information board.

Some excavators are divided into EFI and direct injection. The computer version of EFI and direct injection is different.

All computer versions are tested and delivered with programs, and can be installed after the customer gets them.

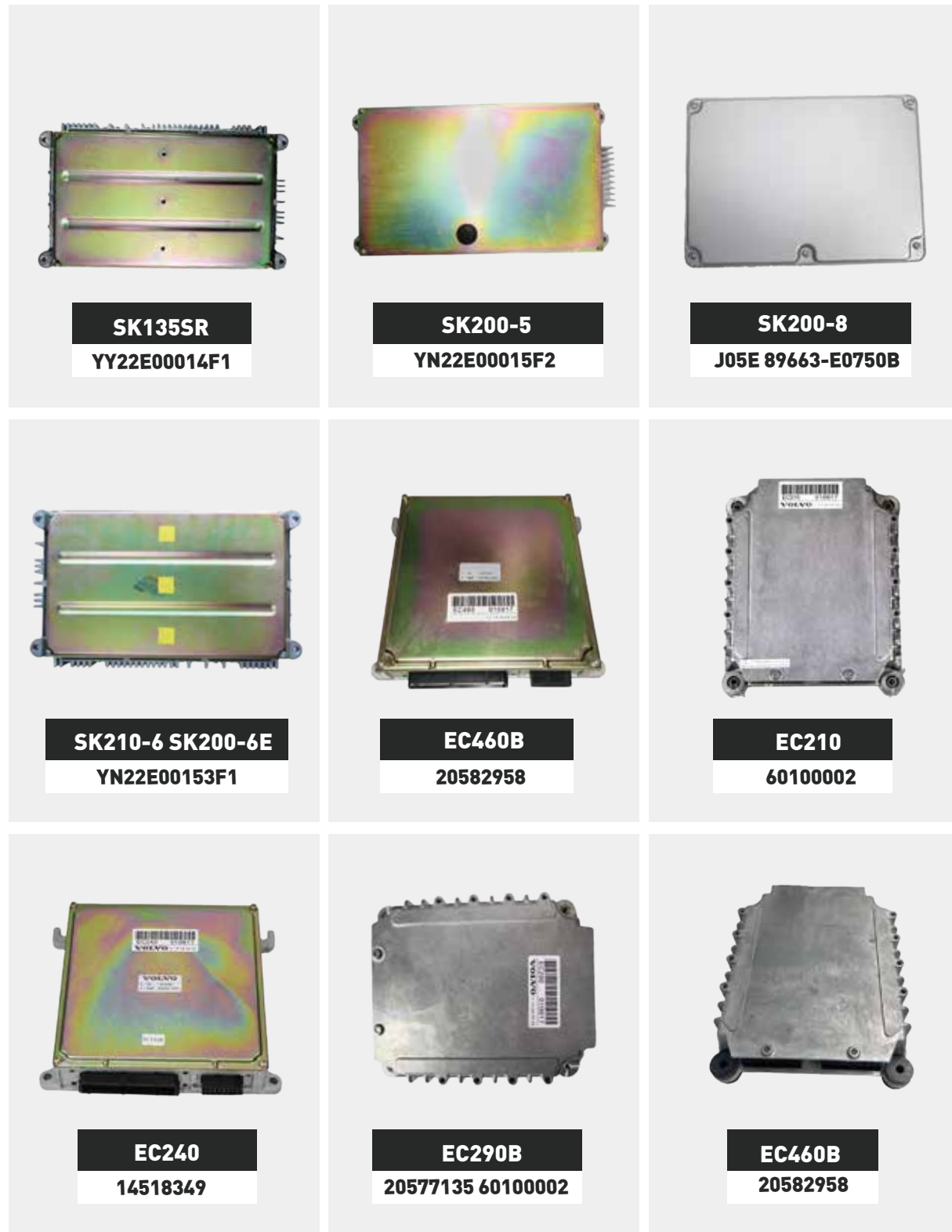
Display screen: all are of domestic high-end quality, matched according to the model. Each display screen will be tested and the detection video will be provided to the customer.





 DH225-7/420 543-00074	 DH300-7 0806-8525-004 543-00055A	 DH420-7 534-00058C
 ZX200-5G/350-5G YA00002098	 DX225 11201-7017	 DX150W 65.11201-7017
 DX225 65.11201-7017	 DX300 65.11201-7016	 DX225 2543-1036 300611-00123

 E313C 221-8957	 E314C 260-2065	 E320B 164-8285
 E320D 366-8821	 E305 LB22E00010F	 EX120-3 9131576
 EX200-2/3 9125533	 ZX225US-3 4HK1 8981481750	 SK130-6 YX22E00001F5





		
JCB220 332/K4244	DX225-9C/340-9C 300426-00196A	E307E E308E 416-4285
		
E320C E312C 260-2160	ZAX200-3 4652262	SY215-9 11888261
		
SY215-8 135-215-330	SK120-5.5 YN10M00002S013	PC228US-3 7835-10-2005

		
PC200-8MO 7835-34-1002	PC200-7 7835-12-3007	PC200-5 7824-72-2001
		
R215-7 21N8-30013	EC300D 14640102	E311D E312D 260-2193
		
SH200-A6 KHR23594	PC300-8 7835-31-5009	CAT320C 260-2160



 <p>DX140 529-00076E</p>	 <p>DX225 53900076 300426-00012</p>	 <p>E307 E307E 416-4285X</p>
 <p>EC210B 14636301 14390065P03</p>	 <p>EC480D 14609502 14640101</p>	 <p>R215-9S 2106-30105 2106-33401</p>
 <p>LG200 LG220 14518349</p>	 <p>PC200-6 7834-72-4001</p>	 <p>PC130-7 7835-10-5000</p>

 <p>SK200-2 YN59S00002F5</p>	 <p>SK200-6 YN59E00017F1</p>	 <p>SK200-8 YN59S00021F2</p>
 <p>PC200-8 7835-31-1004</p>	 <p>ZX200-1 YA00030724</p>	 <p>ZX200W 4653783 4653780</p>
 <p>R210LC-9/140LC-9 2106-30103</p>	 <p>SK200-10 YN59S000039</p>	 <p>E325B 106-0172</p>



SOLENOID VALVE

SOLENOID VALVE

Solenoid valve structure: including (coil, magnet and ejector rod).
Working principle of solenoid valve: when the coil is connected with current, magnetism will be generated, and the magnet will attract each other, and the magnet will pull the ejector rod. When the power is turned off, the magnet and the ejector rod are reset, so that the solenoid valve completes the work process.
The solenoid valve is generally used in the hydraulic system to close and open the oil circuit.





 <p>E320B 121-1490</p>	 <p>HD513 K-G24LE4-22</p>	 <p>SH200A5 LL001140</p>
 <p>ZX450 ZX240-5G 0976504 723-30-90400</p>	 <p>PC130-8 PC300-8 702-21-07610</p>	 <p>ZX210-5G ZX200-5G 92182341</p>
 <p>SK135 30C50-140</p>	 <p>E320B 121-1490</p>	 <p>SK100-3 SK120-3 YN35V00020F1 KWE5K-31</p>

 <p>SK200-8 KDRDE5KR-31 40C50-213 49F1</p>	 <p>EC210B VOE14574269</p>	 <p>SK200-6 MC609-7421120</p>
 <p>R290LC-7 XJBN-00382</p>	 <p>E320B E320C 139-3990 51-8368</p>	 <p>PC200-3 PC200-5 7080-2H25240 708-23-18272</p>
 <p>PC200-6 PC210LC-6K 20Y-60-2212 1206-60-51132</p>	 <p>PC200-8 702-21-57600</p>	 <p>PC360-7 PC400-7 702-21-55701</p>



 <p>E320B E320C 3140C30-137 111-9916</p>	 <p>E320B E320C 121-1491</p>	 <p>PC200-7 702-21-57400</p>
 <p>SY215-8 3130C50-140</p>	 <p>SK350-8 3130C50-143</p>	 <p>SK330-6 KDRDE5K- 3130C50-111</p>
 <p>SK200-8 KWE5K- 31G24YB50 YN35V00051F1</p>	 <p>SK200-6 KWE5K- 31G24DA40 YN35V00020F1</p>	 <p>SK200-5 G24D12</p>

 <p>PC120 PC60-7 203-60-56560</p>	 <p>PC220LC-8 702-21-57400</p>	 <p>SK200-6 MC609-7421120</p>
 <p>SY215-8 KDRDE5K- 3130C50-140</p>	 <p>PC78UU 21W-60-42120</p>	 <p>ZX240LC-5G 0976504</p>
 <p>SH200A5 LL001140</p>	 <p>PC200-6 702-21-07010</p>	 <p>ZX200LC-3 9258047</p>



RELIEF VALVE

The overflow valve is composed of main valve and pilot valve. Constant pressure overflow function of the overflow valve: in the throttling regulation system of the constant displacement pump, the constant flow is provided by the constant displacement pump. When the system pressure increases, the flow demand decreases. At this time, the overflow valve is opened to overflow the excess flow back to the oil tank to ensure that the inlet pressure of the overflow valve, that is, the outlet pressure of the pump, is constant (the valve port is often opened with the pressure fluctuation).





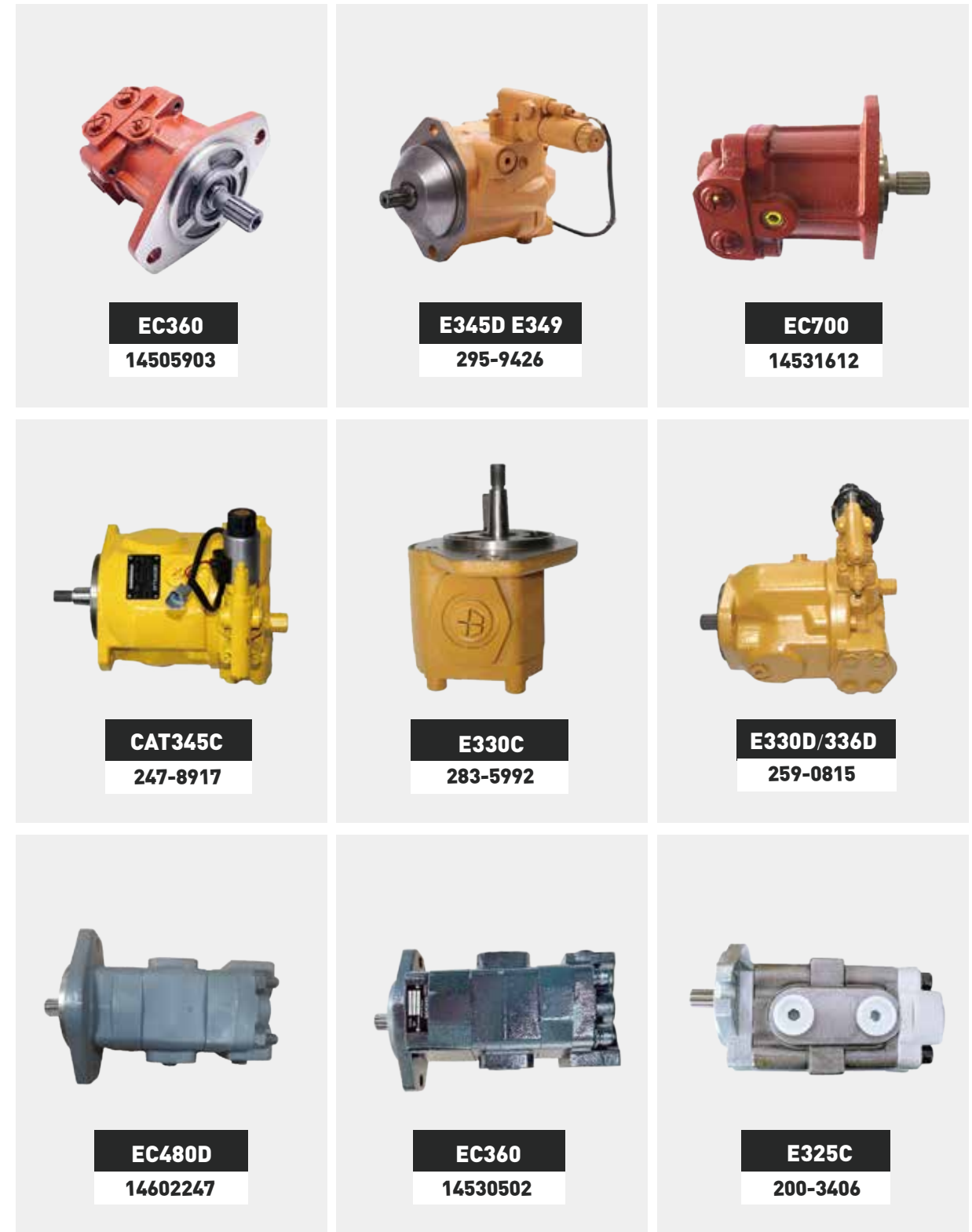




FAN PUMP

FAN PUMP

The fan pump is divided into gear wheel type and plunger type; The main function of the fan pump is to supply oil to the fan motor and promote the conversion of mechanical energy into kinetic energy.





R20LC-9
31Q4-30202



R485 R385
31QB-30130



A35F/35E/40E
15020179



E365C/365B
247-8968 311-9550



E972H E938H
254-5147 254-5145



EC360B/330B
14530502



EC460B
14537295



EC380
15054375



CAT416E/422E
350-0666



EC460
14561970



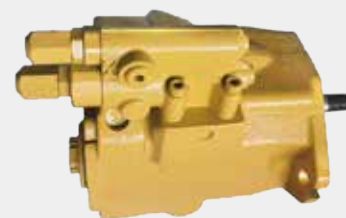
EC240
14524186



CAT416E
307-3063



A25FA25F/G
15140666 17458128



950H 962H
254-5146



E320D
250-8337



CAT345B
295-0814



E322C/324D
190-8970



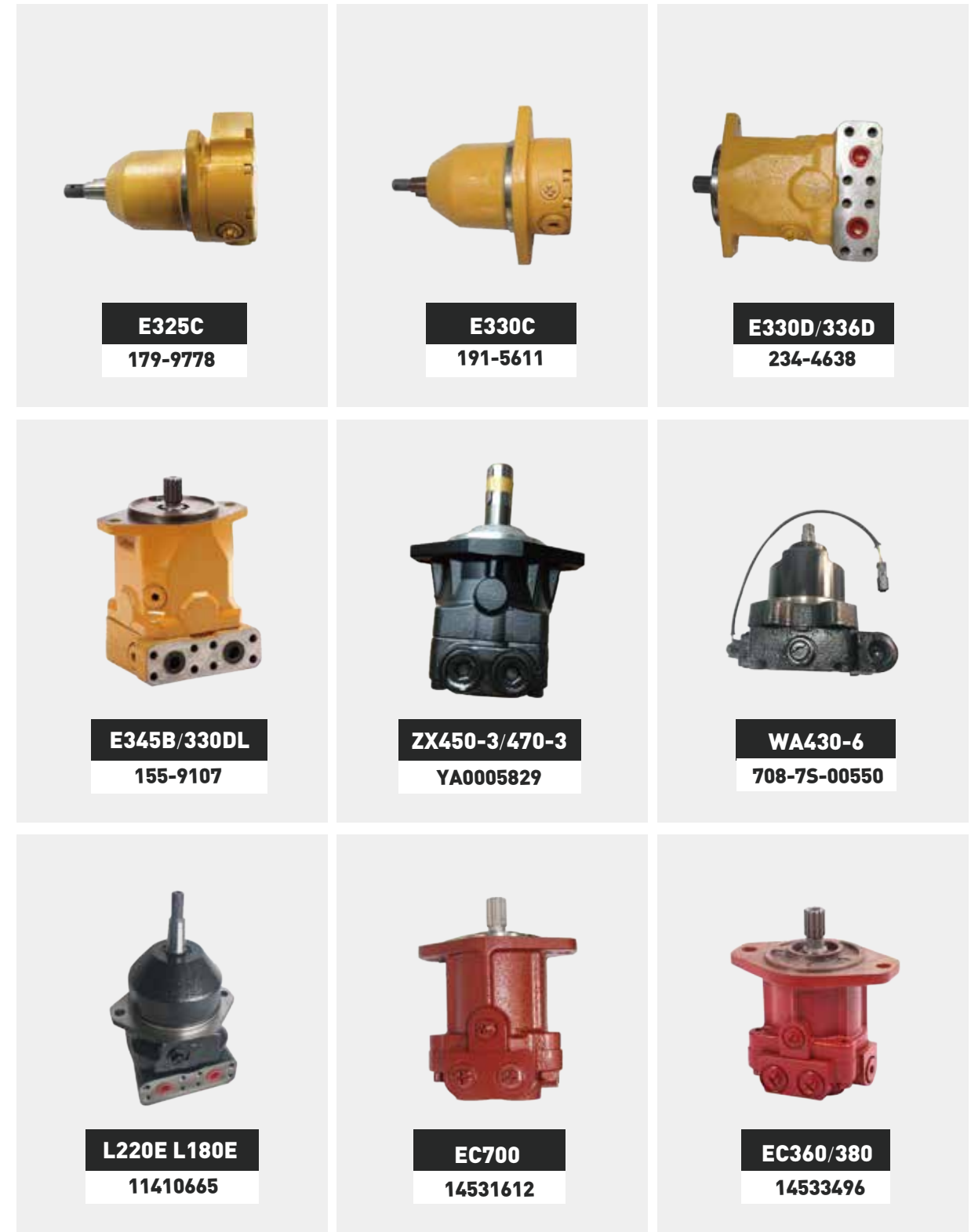
E330D/336D
259-0815



FAN MOTOR

FAN MOTOR

Fan motor is divided into vane type and plunger type; They are all hydraulically driven, and their functions are to assist in heat dissipation.





MFE19
B210074



EX870 MSF50-48
B0440-50005



ZX450L-3
4634936



E365C/385B
247-8978



E345D/349
295-9429



E345CL
266-8034



D705 KYB55 MSF4
20460-34604



E980G
161-8919



E825G
129-2413



ZAX470
YA00005829



125A/225A
B210835



A25D/30D/40F
VOE1111652



CAT980H
255-6805



E986/986H
370-7601



E385B/385C
200-3252



SY485
60248398



WA380-5 WA470
708-75-00530 708-75-00710



R520-9
3104-30201



REGULATOR

REGULATOR

The Regulator is divided into hydraulic control and electric control.

It mainly includes three aspects: power control, power shift control and reverse flow control.

Its working principle is mainly to control the output of the hydraulic pump, the power of the hydraulic pump, the tilt angle of the swash plate and the power shift of the pump.



K5V212DPH
Model EC480



K5V212DPH
Model E345D E349



K3V112DT-HN
Model DH220-5/225-7



HPV0102FW-RE23B
Model EX200



HPV102GW-RH23A
Model EX200-5



HPV145GW
Model ZAX330-1/350



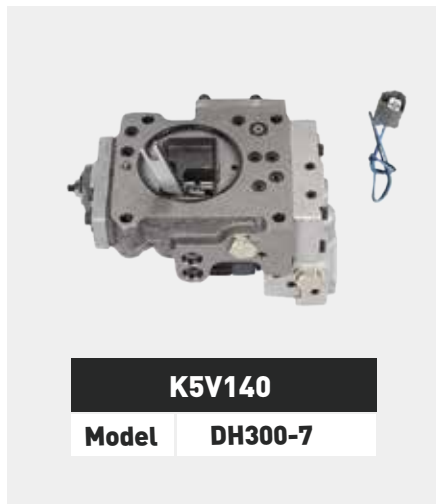
K3V63 (9C00 TYPE)
Model R130-5/150-7



HPV118HW-RH26A
Model ZAX200-3



K3V112 (3L02 TYPE)
Model R210-7 EC210





GEAR PUMP

GEAR PUMP

Gear pump works by gear engagement, which is divided into external gear pump and internal gear pump according to different engagement forms. A pair of gears with identical geometric parameters (tooth width b , tooth number Z), pump body, front and rear cover plates, long and short shafts.





EX200-2
4255303



ZX225/180
4278696



SK200-5/120-5
2437U157F1



R360LC-7
XJBN-00520



R55-7
XKAH-00855



R60-6/60-7
XJDH-02362



WA320-6
705-56-34290



SK130-9/140-8
YY10V00015F1



EC360
14561971



PC78-6E0
708-3T-04620



PC120-2/120-1
705-56-34000



PC50MR-2
708-3S-04573



WA120-1
705-11-34011



EC360-S/480D
14602247



EC460
14561970



PC40-7
705-41-08090



PC40-6
705-41-08010



PC30MR-2
705-41-02700



SLEW BEARING

SLEW BEARING

Slew bearing: actually, it is just a big bearing. As for the power of its rotation, first of all, the main power of the excavator comes from the engine. The engine transfers the power to the hydraulic pump, which provides hydraulic power. The high-pressure oil output by the hydraulic pump is transmitted to each action through the distribution valve.





MODEL	OD	ID	OVERALL HEIGHT	INNER HEIGHT	OUTER HEIGHT	OUTER HOLE	INNER HOLE	TEETH
PC30-2(92Z)	614.5	452	53.5	40	43.5	20-φ13.5	20-φ13.5	92
PC50-7	748	573.5	60	50	50	27-φ14	24-φ14	90
PC60-5(80Z)	852	627	75	58	62	24-φ18	24-φ18	80
PC60-6(76Z)	806	596	74	59	61	24-φ18.5	24-φ18.5	76
PC60-6(80Z)	852	627	75	58	62	24-φ18	24-φ18	80
PC60-7(76Z)	806	596	74	59	61	23-φ18.5	24-φ18.5	76
PC60-7(80Z)	852	627	75	58	62	22-φ18	24-φ18	80
PC70	806	596	74	59	61	24-φ18.5	24-φ18.5	76
PC75	852	627	75	58	62	24-φ18	24-φ18	80
PC78	852	627	74	74	61	25-φ18	24-φ18	80
PC100-3	1112	872.5	75	65	62	30-φ18	30-φ18	89
PC100-3	1112	872.5	75.5	65	62	30-φ18	30-M16	89
PC120-3	1200	964	90	78	80	35-φ22	36-M20	98
PC128	1111	882	77	65	64	34-φ18	38-φ18	90
PC120-6(4D95)	1111	882	77	65	64	34-φ18	38-φ18	90
PC120-6(4D102)	1106	884	75	65	64	34-φ18	36-M16	90
PC120-6E	1122	824	100	90	85	36-φ22	36-φ22	83
PC100-5	1111	873	75.75	65	63	38-φ18	38-φ18	89
PC120-5	1111	873	75	65	63	38-φ18	38-φ18	89
PC130-7	1106	884	75	65	64	34-φ18	36-M16	90
PC150-5	1190	922	83	73	67	26-φ22.5	30-φ22	94
PC160-7	1224	973	82	67	74	32-φ24	36-M20	99
PC200-2	1209	916	95	80	85	22-φ24	36-φ24	78
PC200-3	1303	1084	104	81	90	26-M22	36-M20	110
PC220-3	1303	1084	104	81	90	26-M22	36-M20	110
PC220-5	1302	1084	110	87	90	26-M24	36-M20	110
PC200-5	1302	1084	110	87	90	26-M24	36-M20	110

MODEL	OD	ID	OVERALL HEIGHT	INNER HEIGHT	OUTER HEIGHT	OUTER HOLE	INNER HOLE	TEETH
PC200-6(S6D102)	1323	1084	100	77	90	32-φ24	36-M20	110
PC200-6(S6D95)	1323	1084	100	77	90	32-φ26	36-M20	110
PC220-6(S6D95)	1323	1084	100	77	90	32-φ26	36-M20	110
PC200-7(Z=110)	1323	1084	100	77	90	32-φ24	36-M20	110
PC200-6(S6D102)	1323	1084	100	77	90	32-φ24	36-M20	110
PC200-8(Z=96)	1321	1080	100	77	90	32-φ24	36-M20	96
PC220-7(Z=92)	1323	1073	112	77	102	32-φ24	36-M22	92
PC220-8(Z=92)	1323	1073	112	77	102	32-φ24	36-M22	92
PC270-7	1533	1235	125	97	113	35-φ26	40-M24	90
PC300-3	1526	1236	122	87	110	35-M24	40-M24	90
PC300-5	1526	1236	122	97	110	35-M24	40-M24	90
PC300-6	1532	1235	125	95	113	35-φ26	40-M24	90
PC300-7	1532	1235	125	95	113	35-φ26	40-M24	90
PC350-6	1532	1235	125	95	113	35-φ26	40-M24	90
PC350-7	1532	1235	125	95	113	35-φ26	40-M24	90
EX40-1	615	446	59	40	50	24-φ13.5	20-φ13.5	76
EX60-1	781	554	78	60	65	24-φ18	24-φ18	71
EX70-5	774	554	78	60	65	24-φ18	24-φ18	71
ZAX60	755	574	67	50	55	38-φ27-φ15.5	24-φ15.5	90
ZAX70	806	593	73	60	60	25-φ17.5	24-φ17.5	76
EX100-1	1195	962	86	72	70	36-φ17	36-φ19	98
ZAX110	1092	860	86	68	70	30-φ20	36-φ18	88
ZAX120	1092	860	86	68	70	30-φ20	36-φ18	88
EX200-3	1312	1083.5	106	72	95	36-φ22	36-M20*1.5	92
ZAX210	1310	1080	106	72	95	36-φ21	36-M20*1.5	92
ZAX230	1420	1138	108	84	98	36-φ24	36-M24*2	83
ZAX330	1630	1297	120	95	110	36-φ29	36-M27*2	83
EX300-5	1630	1297	120	95	110	36-φ29	36-M27*2	83
R55-5	800	573	70	56	60	20-φ17.524	20-φ17.5	90
R80-7	900	665	85	70	70	30-φ17.5	30-φ17.5	85
R170-5	1202	947	83	75	70	36-φ22	36-M20	80
R200	1328	1083	111	80	94	28-φ22	36-M20	92
R300	1526	1235	122	87	110	35-φ26	40-M24	90
R450-7	1675	1346	132	108	120	46-φ25	44-M24	114
DH60	811	617	75	65	65	24-φ17.5	24-φ17.5	90
DH80-7	901	640	82	72	65	24-φ20	24-M18	82
DH220-5	1327	1084	112	90	95	36-φ21.5	36-M20*1.5	92



BOOM / ARM / BUCKET CYLINDER

The boom, arm and bucket cylinder is an actuator in the hydraulic system. Generally, it is composed of cylinder body, cylinder rod (piston rod) and seal. The cylinder body is divided into two parts by the piston, with one oil hole respectively. Since the compression ratio of the liquid is very small, when one oil hole is filled with oil, the piston will be pushed to make the other oil hole discharge oil, and the piston will drive the piston rod to extend (retract) movement.



PRODUCT NAME	MODEL	PART NUMBER	WEIGHT
bucket cylinder ass'y	EC240B	14563959	207KG
arm cylinder ass'y	EC250D EC250E	14658078	380KG
bucket cylinder ass'y	EC250D	14594987	320KG
arm cylinder ass'y	EC210	14534532	276KG
bucket cylinder ass'y	EC210	14534533	160KG
boom cylinder ass'y	EC330C EC360C	14549596	380KG
arm cylinder ass'y	EC330C EC360	14549597/14640432	550KG
arm cylinder ass'y	R210LC-7 R210LC-7A	31n6-50135	280KG
bucket cylinder ass'y	R210NLC-7 R220LC-7H	31n6-60110	220KG
arm cylinder ass'y	R210LC-7 R290LC-7	31n6-66100	280KG
bucket cylinder ass'y	R210LC-7 R220LC-7H	31q6 60110	180KG
boom cylinder ass'y	R210LC-9	31q6-50110	200KG
arm cylinder ass'y	EC360	14563816	395KG
arm cylinder ass'y	EC480D	14606236	650KG
bucket cylinder ass'y	EC480D	14570757	400KG
arm cylinder ass'y	ZX850-3	4638083	1300KG
bucket cylinder ass'y	ZX850-3	4638084	900KG
arm cylinder ass'y	ZX350LC-3	4628635	500KG
bucket cylinder ass'y	ZX350LC-3	4643260	266KG
arm cylinder ass'y	ZX270LC-3	4628630	330KG
bucket cylinder ass'y	ZX270LC-3	4628628	280KG
arm cylinder ass'y	ZX240LC-3	4618364	315KG
bucket cylinder ass'y	ZX240LC-3	4628634	280KG
boom cylinder ass'y	E330B E330C E330D	132-7895	300KG
arm cylinder ass'y	E330D	316-6243	380KG
bucket cylinder ass'y	E325B E330B E330C E325D	143-3198	230KG
arm cylinder ass'y	ZAXIS450-3	4637753	735KG
bucket cylinder ass'y	ZAXIS450-3	4637754	435KG
arm cylinder ass'y	ZX370F-3	4641550	395KG
boom cylinder ass'y	ZX650-3 ZX670-3	4653859	950KG



FLOATING SEAL

FLOATING SEAL

The structure of the floating oil seal is generally composed of a pair of wear-resistant metal rings and a pair of rubber rings, which can prevent the external mud, sand and other pollutants from invading the equipment while preventing the leakage of lubricating oil.



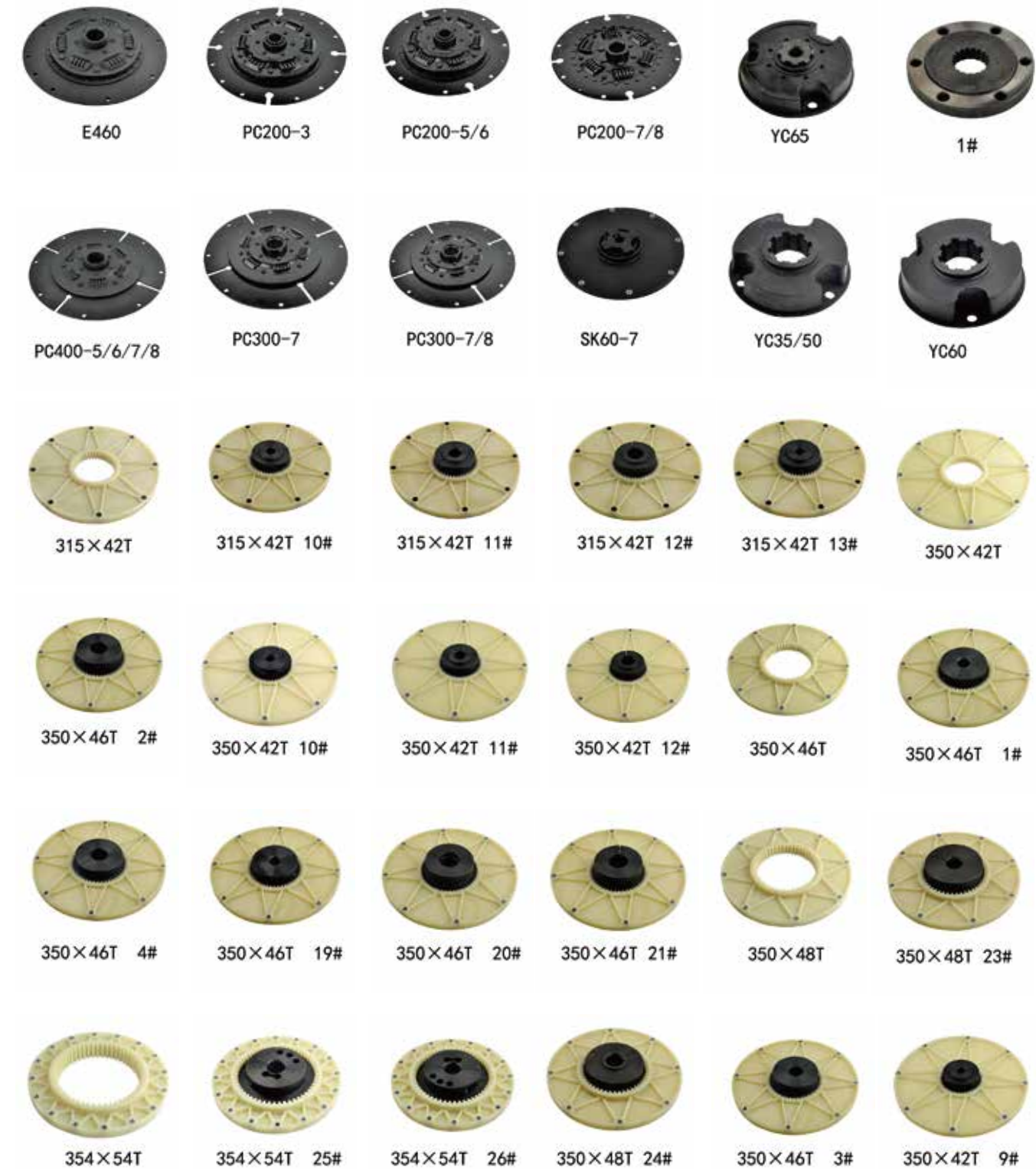
NUMBER	PART NUMBER	SPECIFICATIONS	APPLICABLE MODEL
BLF100	205-30-00052	100*120*30	D20
BLF110	130-27-00020	110*132*31	D50 D40 EC290
BLF115	150-27-00015	115*137*31	D60 EX400
BLF130	170-27-00010	130*151*32	D31 D85 D85A-18
BLF148	175-27-00121	148*170*32	PC20/30-6 PC/35R-8 PC40-6/7
BLF160	80-27-00021	160*180*32	PC40-8/9 PC55 EX45 PC200-1/2
BLF154	5K1078	154*168*26	SK30 EX30 YC35
BLF182	5M1176	182*210*38	EX60-1/2 EX75 D60P
BLF205	GZ5820	205*227*32	PC60-7E PC78UU PC75-8
BLF209	HIT4110368	209*234*42	HD180 UH04-5
BLF220	HIT4110369	220*246*36	EX100/120-2/3/5 ZAX120
BLF223	9W6686	223*251*44	EX100/120-1
BLF225	130-27000010	225*253*38	PC120-5 D50P
BLF235	A2350000	235*265*42	ZAX200/210/230
BLF239	141-27-00010	239*268*42	EX200-2/3/5 EX220-2/3
BLF250	HIT4514259	250*277*44	EX200/220-1 SH100/120A3 PC120-6E/PC128UU
BLF260	14X-27-00100	260*288*40	SK200-8 SK250/260-8
BLF260A/B	209*234*22	100*120*30	PC100/120-3 HD450-5
BLF265	5M1177	265*292*38	E311/312 R200/220 HD800-7 HD900/1250
BLF300	150-27-00025	298*328*42	PC200-3/5 E200B/320L/B/C HD700 SK200-3/5
BLF318	5M7294	318*346*38	VOLVO210 E325 SH300A3
BLF340	170-27-00020	340-368*40	PC200-6E DHG220-5 PC220-6/7 PC300-5/6
BLF366	4D4510/4D4521	366*394*38	EX400/450 E330B/C SK300 SH300
BLF381	287-33-00010	381*405*40	PC400-3/5/6 ZX450 R300



CLUTCH DISC

The clutch is composed of friction plate, spring plate, pressure plate and power output shaft. It is located between the engine and the gearbox. It is used to transmit the torque stored on the engine flywheel to the gearbox to ensure that the vehicle can transmit appropriate driving force and torque to the driving wheels under different driving conditions. It belongs to the category of power assembly.

ENGINE	PART NUMBER	WEIGHT	PACKAGE SIZE
PC200-5/200-6	20Y-01-11112	6.2 KG	37*37*7
PC200-7/200-8	22U-01-21310	6.2 KG	37*37*7
PC300-7/360-7/350-7/400-7	207-01-71310	15.1 KG	50*49*7
PC300-6/350-6/360-6 D65-12 D85-E	14X-12-11102	14.3 KG	50*49*7
PC300-6/400-8 KMD020NX	207-01-61311	15 KG	50*49*7
D61/KMD022NX	134-12-61131	10.3 KG	40*40*7
D31/KMD023NX D37	113-12-42201	4.9 KG	37*37*7
D41A-6 D41E-6	124-12-51141	9.1 KG	40*40*7
D12C/12D/13F/13H EC360/380/460/480	VOE14528378	8.4 KG	39*39*7
C13 E345D E349D	310-9497	20 KG	41*41*10





COUPLING

Connecting rubber: it is composed of spline shaft sleeve, aluminum block and rubber block. During installation, first install the aluminum body and the elastomer on the flywheel disk of the internal combustion engine, and then insert the spline shaft sleeve locked on the oil pump. The coupling adjusts and compensates the manufacturing error and installation deviation of the product through the clearance between the spline shaft sleeve and the elastomer, and connects the hydraulic pump.





Our manufacture produces in accordance with the original standards, using production equipment imported from South Korea, Japan and other countries and helps many foreign companies to procure excavator parts in China professionally. Thus, we are strict with the quality of products. We stick to our principle of providing high-quality products and good services to customers. We attach great importance to the material and manufacturing technique of products to ensure the interests of our customers!



Strong part number database

If you can provide the right model and part number, we can supply the right product.



Professional and experienced

Our founder has been in this field for more than 12 years, with rich experiences.



Good management system

No matter how big or small order, as long as customers place the order, we will provide our best service.



Reliable quality

Most products have at least 6 months warranty. During the warranty period, repairing parts will be offered at free price.



Quality Assurance

Quality assurance, 100% testing before delivery to ensure that each product is correct and usable.

FOREIGN TRADE TEAM



EXHIBITION

Customer photo



We regularly participate in exhibitions and communicate with customers from different countries. Many buyers from different countries have placed orders with us. The products mainly rely on quality and price to win customers' favor. They are sold all over the world under their own brand "belparts", which is highly praised by foreign customers.

